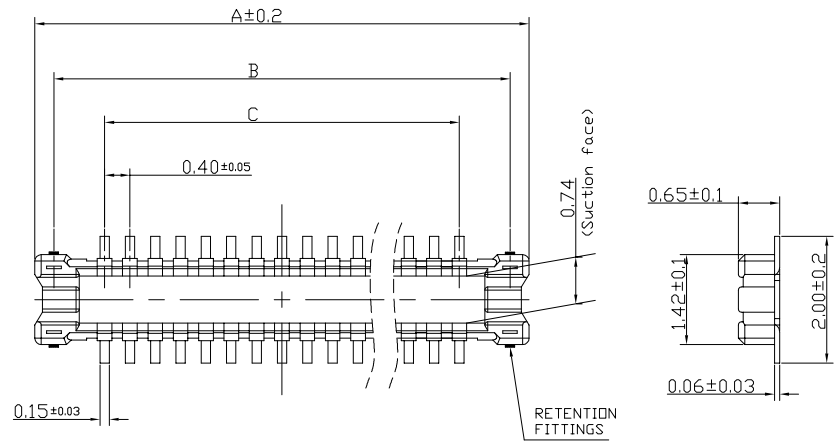


REV	ECN NO	DRA	APPD	DATE
A	FIRST RELEASE	George Gao	Human Zhou	2013.09.12



SPECIFICATIONS:

- 1) MATERIAL:
 - 1-1. MOLDED PORTION: LCP Black(UL94 V-0)
 - 1-2. CONTACT AND POST: COPPER ALLOY
- 2) SURFACE TREATMENT:
 - 2-1. TERMINAL PORTION: BASE: NICKEL PLATING OVERALL; GOLD PLATING CONTACT OVERALL;
 - 2-2. FIT NAIL: BASE: NICKEL PLATING OVERALL;
- 3) CHARACTERISTICS:
 - 3-1. RATED VOLTAGE: 30V AC/DC
 - 3-2. RATED CURRENT: 0.3A/CONTACT (MAX. 5A AT TOTAL CONTACT)
 - 3-3. INSULATION RESISTANCE: MIN. 1000MΩ (INITIAL)
 - 3-4. BREAKDOWN VOLTAGE: 500V AC FOR 1 MIN.
 - 3-5. SALTWATER SPRAY RESISTANCE (HEADER AND SOCKET MATED): 24 HOURS, INSULATION RESISTANCE MIN. 1000MΩ, CONTACT RESISTANCE MAX. 50mΩ
 - 3-6. CONTACT RESISTANCE: MAX. 50mΩ
 - 3-7. AMBIENT TEMPERATURE: -55℃ - +85℃
 - 3-8. STORAGE TEMPERATURE: -55℃ - +85℃ (PRODUCT ONLY); -40℃ - +50℃ (EMBOSS PACKING)
 - 3-9. WARRANTY PERIOD: 12 MONTH
 - 3-10. COMPOSITE INSERTION FORCE: 40N MAX
 - 3-11. COMPOSITE REMOVAL FORCE: BEFORE DURABILITY 0.165N/PIN MIN.
 - 3-12. DURABILITY: 30 TIMES

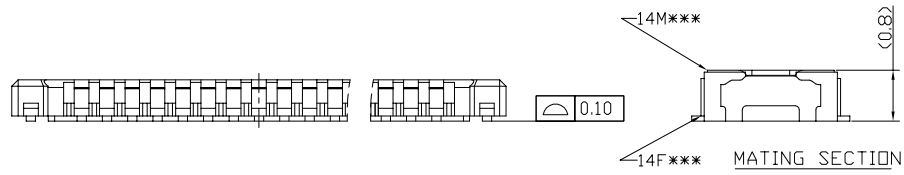
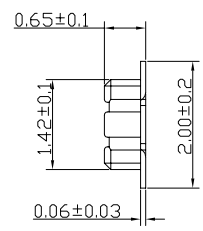
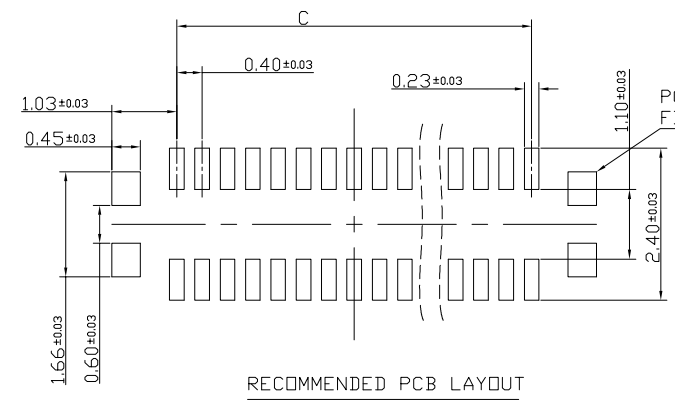


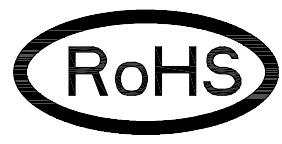
TABLE:

70	15.80	15.20	13.60
50	11.80	11.20	9.60
40	9.80	9.20	7.60
34	8.60	8.00	6.40
30	7.80	7.20	5.60
24	6.60	6.00	4.40
16	5.00	4.40	2.80
14	4.60	4.00	2.40
12	4.20	3.60	2.00
10	3.80	3.20	1.60
NUMBER OF CONTACTS	A	B	C



5014-GM*-04**

HEADER _____
 NUMBER OF _____
 CONTACTS _____ PITCH-0.4MM



DIMENTION IN mm		深圳市文章济美科技有限公司 Shenzhen WenzhangjiMei technology co., LTD			
TOLERANCE UNLESS OTHERWISE SPECIFIED		APPD:	TITLE: 0.4MM BTB (MATING HEIGHT 0.8H)		
±0.20	±2°	CHKD:	DWG NO: 5014-GM***-04		
.0 ±0.10	.0 ±1°	DRA: George Gao 2015.10.22	PROJ	Q'TY	SIZE
.00 ±0.05	.00 ±0.5°				SHEET SCALE REV
.000 ±0.03	.000 ±0.3°				1/1 1:1 A

REV	ECN NO	DRA	APPD	DATE
A	FIRST RELEASE	George Gao	Human zhou	2013.09.12

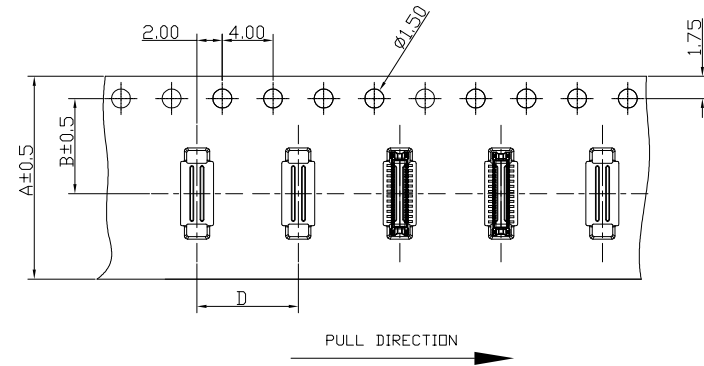
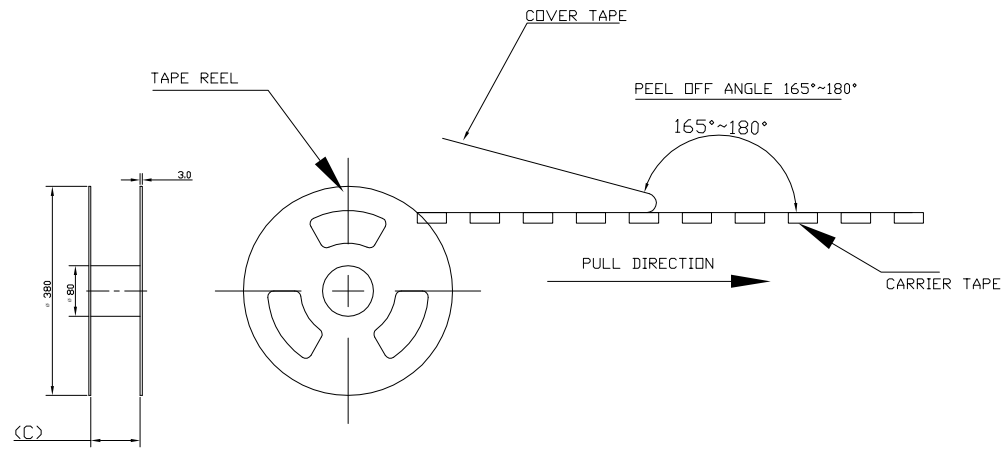


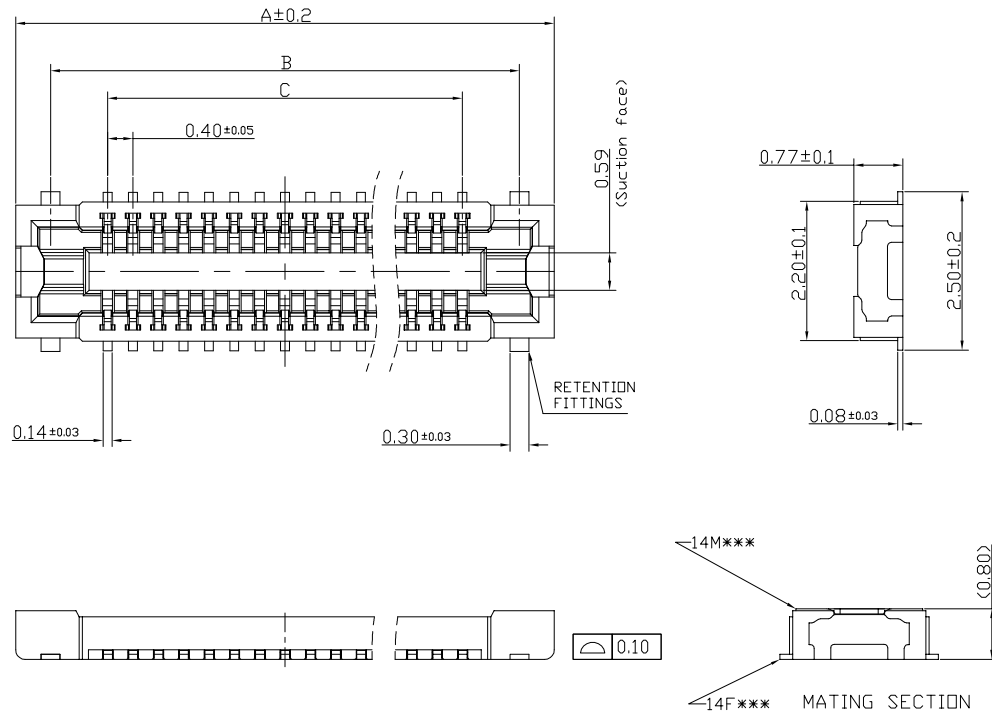
TABLE:

70	24.00	11.50	25.4	4.00	20000
50					
40					
34					
30	16.00	7.50	17.4		
24					
16					
14					
12					
10					
NUMBER OF CONTACTS	A	B	C	D	QTY/REEL



DIMENTION IN mm		 深圳市文章济美科技有限公司 Shenzhen WenZhangJiMei technology co., LTD			
TOLERANCE UNLESS OTHERWISE SPECIFIED		APPD:	TITLE: 0.4MM BTB (MATING HEIGHT 0.8H)		
. ±0.20	. ±2°	CHKD:	DWG NO: 5014-GM***-04		
.0 ±0.10	.0 ±1°	DRA: George Gao	PROJ	Q'TY	SIZE
.00 ±0.05	.00±0.5°	2015.10.22	---	A4	1/1
.000±0.03	.000±0.3°		1:1	1:1	A

REV	ECN NO	DRA	APPD	DATE
A	FIRST RELEASE	George Gao	Human Zhou	2013.09.18
B	SECOND VERSINDNS	George Gao	Human Zhou	2015.10.22

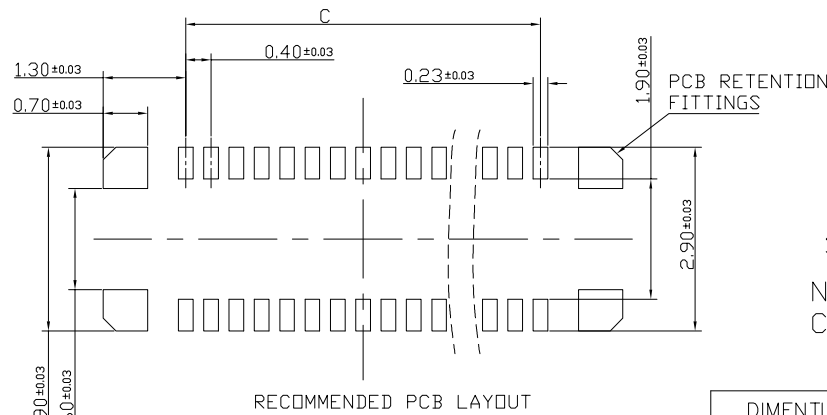


SPECIFICATIONS:

- 1) MATERIAL:
 - 1-1. MOLDED PORTION: LCP Black(UL94 V-0)
 - 1-2. CONTACT AND POST: COPPER ALLOY
- 2) SURFACE TREATMENT:
 - 2-1. TERMINAL PORTION: BASE: NICKEL PLATING OVERALL; GOLD PLATING CONTACT OVERALL;
 - 2-2. FIT NAIL: BASE: NICKEL PLATING OVERALL;
- 3) CHARACTERISTICS:
 - 3-1. RATED VOLTAGE: 30V AC/DC
 - 3-2. RATED CURRENT: 0.3A/CONTACT (MAX. 5A AT TOTAL CONTACT)
 - 3-3. INSULATION RESISTANCE: MIN. 1000MΩ (INITIAL)
 - 3-4. BREAKDOWN VOLTAGE: 500V AC FOR 1 MIN.
 - 3-5. SALTWATER SPRAY RESISTANCE (HEADER AND SOCKET MATED): 24 HOURS, INSULATION RESISTANCE MIN. 1000MΩ, CONTACT RESISTANCE MAX. 50mΩ
 - 3-6. CONTACT RESISTANCE: MAX. 50mΩ
 - 3-7. AMBIENT TEMPERATURE: -55℃ - +85℃
 - 3-8. STORAGE TEMPERATURE: -55℃ - +85℃ (PRODUCT ONLY); -40℃ - +50℃ (EMBOSS PACKING)
 - 3-9. WARRANTY PERIOD: 12 MONTH
 - 3-10. COMPOSITE INSERTION FORCE: 40N MAX
 - 3-11. COMPOSITE REMOVAL FORCE: BEFORE DURABILITY 0.165N/PIN MIN.
 - 3-12. DURABILITY: 30 TIMES

TABLE:

70	16.50	15.40	13.60
50	12.50	11.40	9.60
40	10.50	9.40	7.60
34	9.30	8.20	6.40
30	8.50	7.40	5.60
24	7.30	6.20	4.40
16	5.70	4.60	2.80
14	5.30	4.20	2.40
12	4.90	3.80	2.00
10	4.50	3.40	1.60
NUMBER OF CONTACTS	A	B	C



5014-F*-04**

SOCKET
NUMBER OF CONTACTS
PITCH-0.4MM



DIMENTION IN mm		深圳市文章济美科技有限公司 Shenzhen WenZhangJiMei technology co., LTD			
TOLERANCE UNLESS OTHERWISE SPECIFIED		APPD:	TITLE: 0.4MM BTB (MATING HEIGHT 0.8H)		
±0.20	±2°	CHKD:	DWG NO: 5014-F***-04		
±0.10	±1°	DRA: George Gao	PROJ	Q'TY	SIZE
±0.05	±0.5°	2015.10.22	--	A4	1/1
±0.03	±0.3°			1:1	REV B

REV	ECN NO	DRA	APPD	DATE
A	FIRST RELEASE	George Gao	Human zhou	2013.09.12

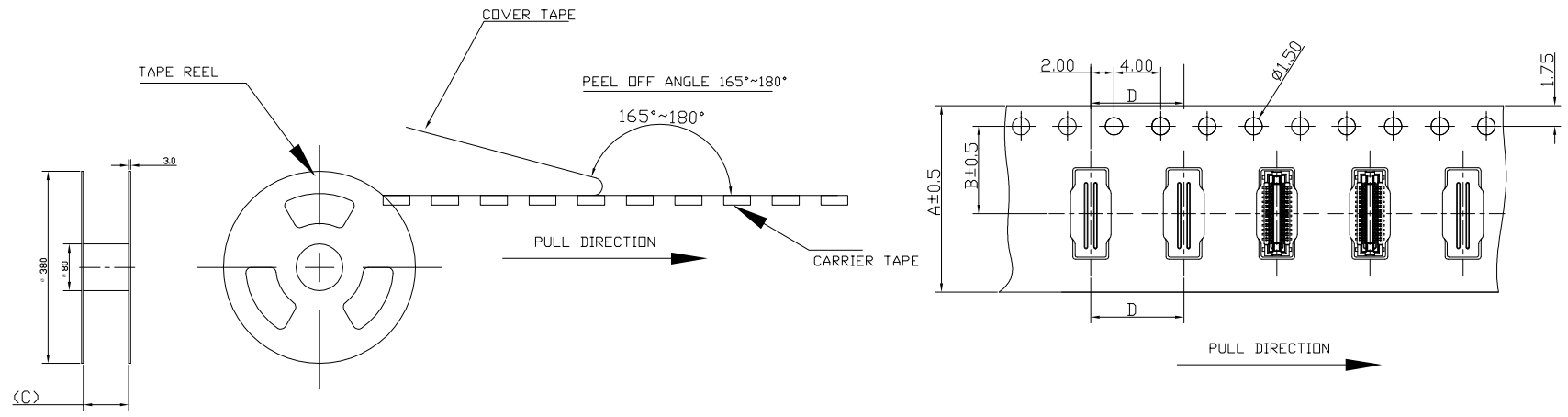


TABLE:

70	24.00	11.50	25.4	4.00	20000
50					
40					
34					
30	16.00	7.50	17.4	4.00	20000
24					
16					
14					
12	A	B	C	D	QTY/REEL
10					



DIMENTION IN mm		 深圳市文章济美科技有限公司 Shenzhen WenZhangJiMei technology co., LTD
TOLERANCE UNLESS OTHERWISE SPECIFIED		
. ±0.20	. ±2°	APPD: TITLE: 0.4MM BTB (MATING HEIGHT 0.8H)
.0 ±0.10	.0 ±1°	CHKD: DWG NO: 5014-F***-04
.00 ±0.05	.00±0.5°	DRA: George Gao 2013.09.18
.000±0.03	.000±0.3°	PROJ Q'TY SIZE SHEETSCALE REV
		 -- A4 1/1 1:1 A