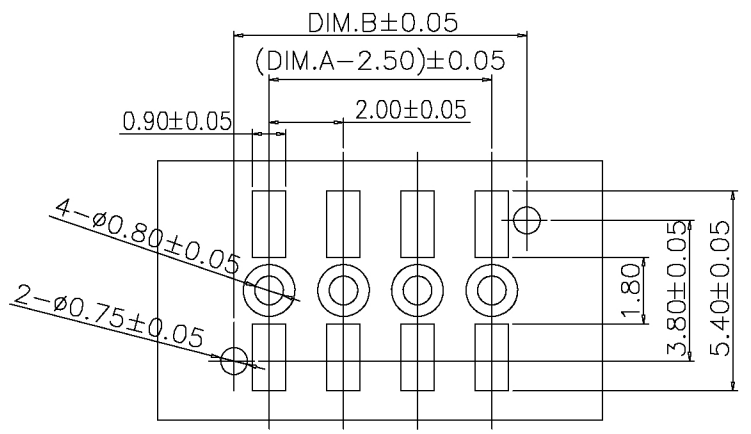
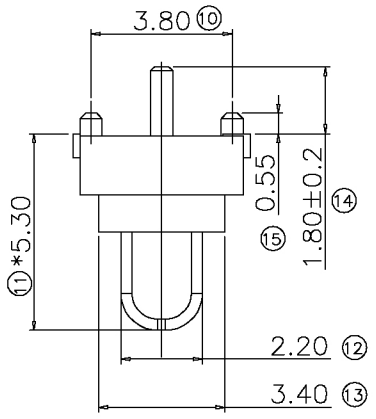
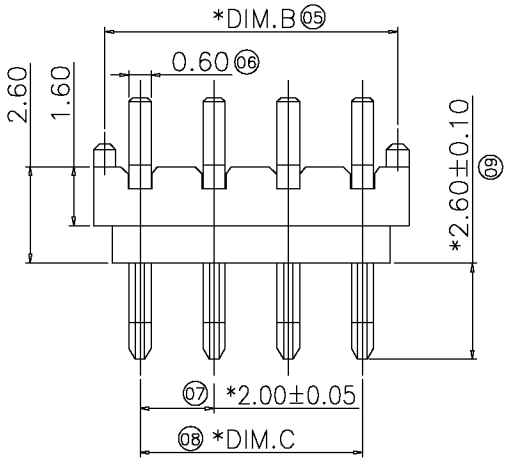
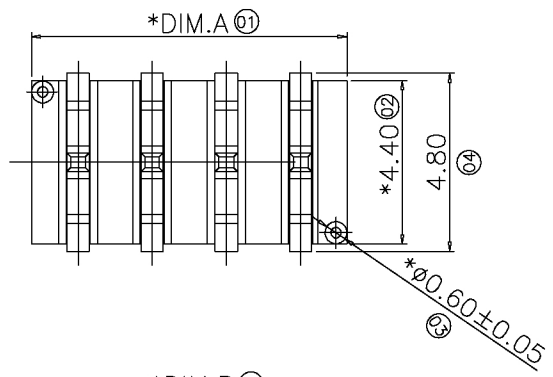
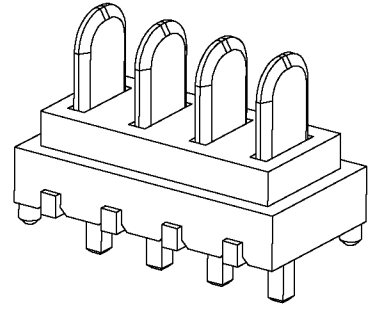


RoHS Compliant

结构图面

REV	DESCRIPTION	APPR	CHECK	DRAW	DATE
△	原始图档		JACK	Yang	160506



P.C.B LAYOUT  
TOLERANCE: ±0.05

P / N	Dim. A	Dim. B	Dim. C
03pin	6.50	5.90	4.00
04pin	8.50	7.90	6.00
05pin	10.50	9.90	8.00
06pin	12.50	11.90	10.00
07pin	14.50	13.90	12.00
08pin	16.50	15.90	14.00

NOTES:  
 1. MATERIAL:  
 HOUSING:LCP 30% G/F UL94 V-0  
 COLOR:BLACK  
 CONTACT:COPPER ALLOY T=0.60mm  
 2. FINISH:  
 CONTACT: 1u" GOLD PLATING ON CONTACT AREA  
 G/F PLATING ON SOLDER TAILS  
 50u" MIN. NICKEL UNDERPLATING OVER ALL

QUALITY SYMBOLS	GENERAL TOLERANCES (UNLESS SPECIFIED)		SCALE: 1:1	NUMBER:	东莞市文章济美电子有限公司 TITLE: Battery PH2.0 H=5.3mm公座
	MM	INCH	MATERIAL:	FINC:	
	.X ±0.25	.X	DESIGN BY JK-YANG	DATE	
	.XX ±0.15	.XX	CHECKED BY	DATE	
.XXX ±0.06	.XXX	ANGULAR ±1'		APPROVED BY	DATE
DRAFT WHERE APPLICABLE MUST REMAIN WITHIN DIMENSIONS		DRAWING NO. PSY3MXX-H0530XXB		REVISE ON CAD ONLY	SHEET NO. 1/1
Shenzhen product is an electronic co., LTD					

RoHS  
Compliant

# 结构图面

REV	DESCRIPTION	APPR	CHECK	DRAW	DATE
△	原始图档		JACK	Yang	080606

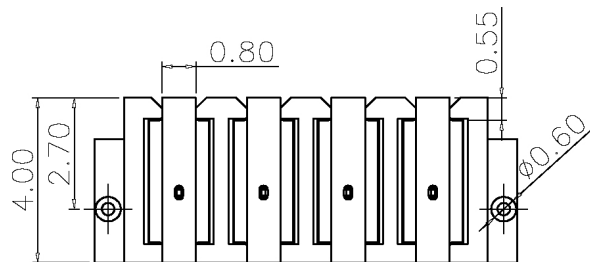
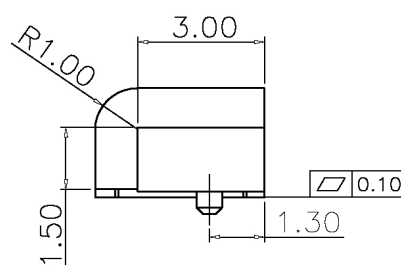
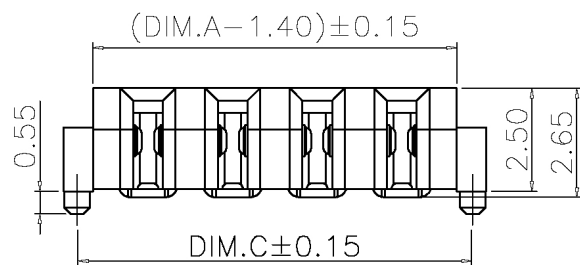
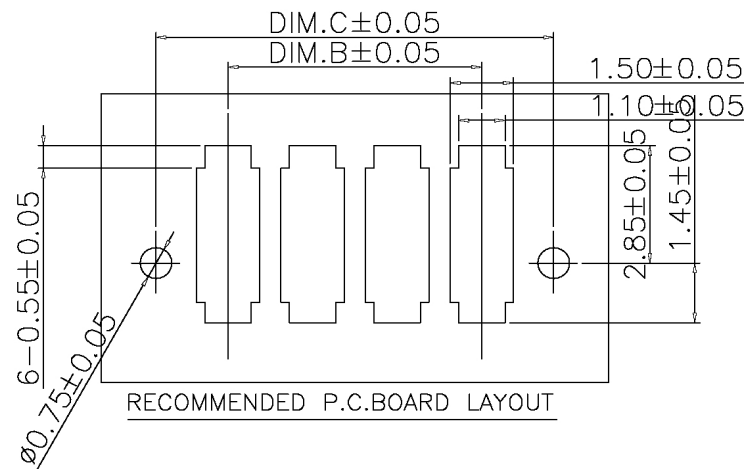
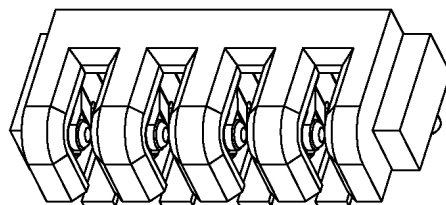
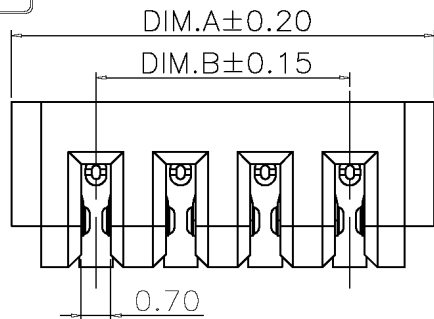


Table:

PART NUMBER	P / N	Dim. A	Dim. B	Dim. C
	03pin	8.00	4.00	7.35
	04pin	10.00	6.00	9.35
	05pin	12.00	8.00	11.35
	06pin	14.00	10.00	13.35
	07pin	16.00	12.00	15.35
	08pin	18.00	14.00	17.35

说明:

- 1.主体: PA9T(UL94V-0)/LCP 颜色: 黑
- 2.端子: 铜合金 T=0.20mm

电气性能:

- 1.额定电压: 30V(Max) AC/DC;
- 2.绝缘耐压: AC 1KV 1分钟, 相邻端子间无损坏
- 3.绝缘阻抗: 1000MΩ, 500V DC 1分钟相邻端子间
- 4.使用温度: -25℃~+80℃

QUALITY SYMBOLS    	GENERAL TOLERANCES (UNLESS SPECIFIED)		SCALE: 1:1	NUMBER:	<b>东莞市文章济美电子有限公司</b>  TITLE: Battery PH2.0 H=2.5mm母座
	MM	INCH	MATERIAL:	HRC:	
	.X ±0.25	.X @---	DRAWN BY: JK-YANG	DATE:	
	.XX ±0.15	.XX @---	CHECKED BY:	DATE:	
.XXX ±0.05	.XXX @---	ANGULAR ±1°		THIRD ANGLE PROJECTION	REVISE ON CAD ONLY
DRAFT WHERE APPLICABLE MUST REMAIN WITHIN DIMENSIONS		APPROVED BY:	DATE:	PART NO.: PSY3FXX-H2520XXT	DWG NO.:
Shenzhen product is an electronic co., LTD					SHEET NO. 1/1