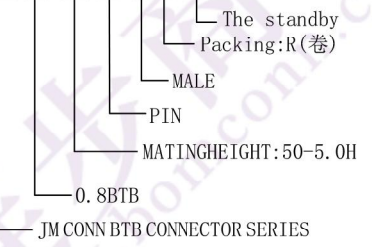


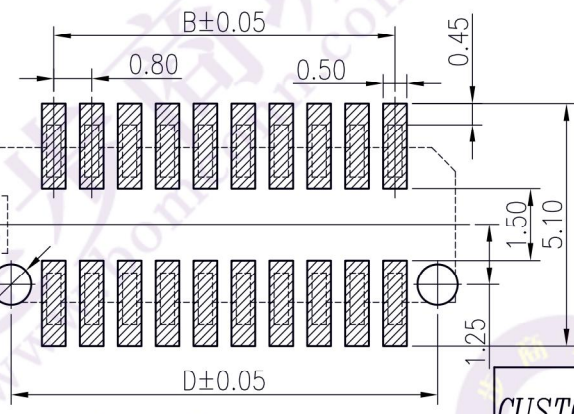
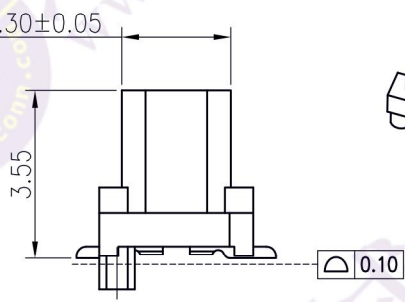
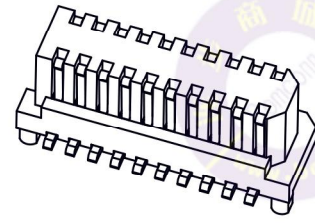
NOTES:

- HUOSING: PA9T HIGH-TEMP THERMOPLASTIC UL94V-0 COLOR:CREAM-COLOURED
- TERMINAL:PHOSPHOR BRONZE
PLATING:1μ" GOLD FLASH OVERALL 50~100μ" NICKEL UNDER PLATED.
- CODING INFORMATION: 5001-BDF 08 50-** M R-00



MATING HEIGHT
SCALE:1.25:1

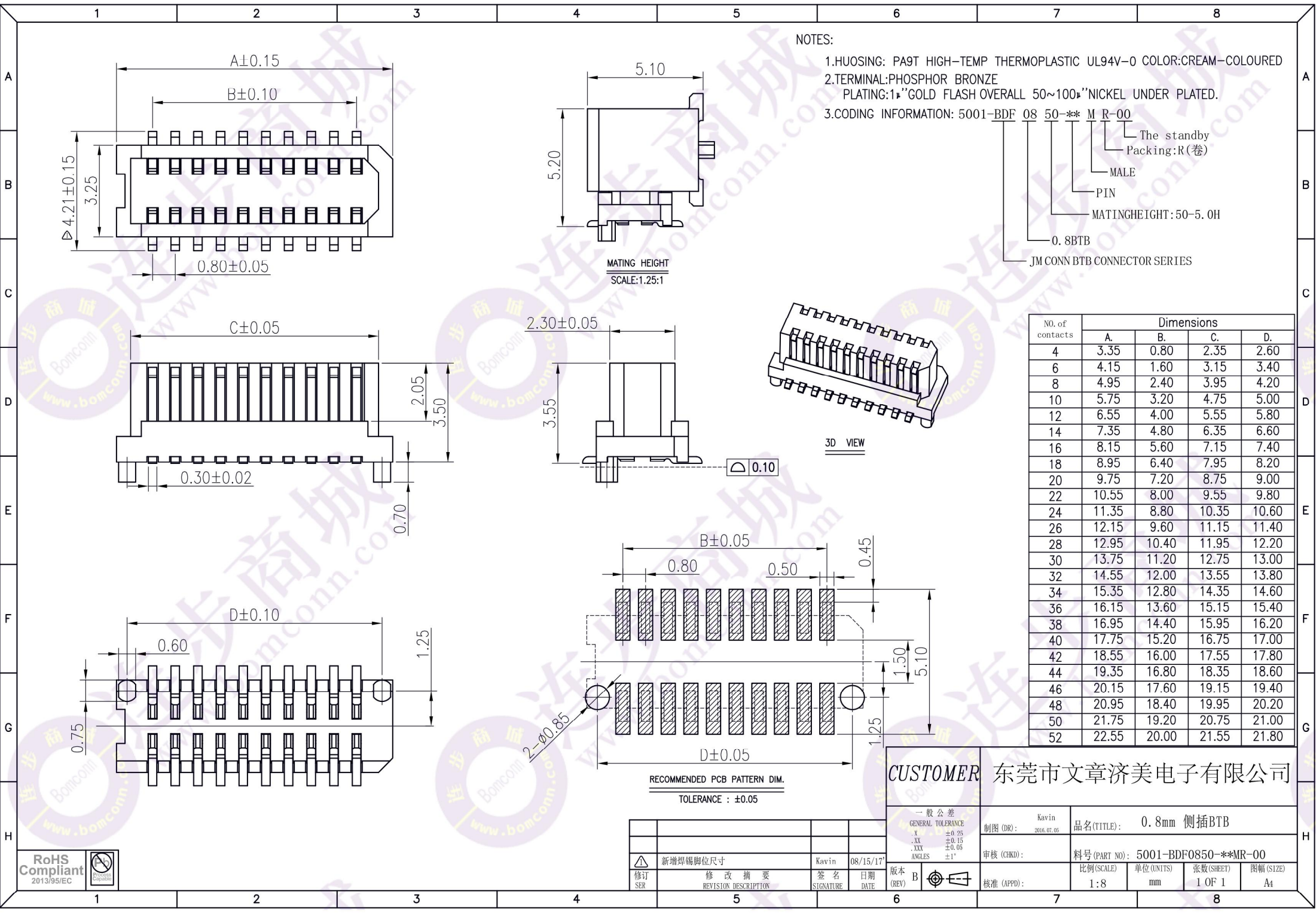
| NO. of contacts | Dimensions | | | |
|-----------------|------------|-------|-------|-------|
| | A. | B. | C. | D. |
| 4 | 3.35 | 0.80 | 2.35 | 2.60 |
| 6 | 4.15 | 1.60 | 3.15 | 3.40 |
| 8 | 4.95 | 2.40 | 3.95 | 4.20 |
| 10 | 5.75 | 3.20 | 4.75 | 5.00 |
| 12 | 6.55 | 4.00 | 5.55 | 5.80 |
| 14 | 7.35 | 4.80 | 6.35 | 6.60 |
| 16 | 8.15 | 5.60 | 7.15 | 7.40 |
| 18 | 8.95 | 6.40 | 7.95 | 8.20 |
| 20 | 9.75 | 7.20 | 8.75 | 9.00 |
| 22 | 10.55 | 8.00 | 9.55 | 9.80 |
| 24 | 11.35 | 8.80 | 10.35 | 10.60 |
| 26 | 12.15 | 9.60 | 11.15 | 11.40 |
| 28 | 12.95 | 10.40 | 11.95 | 12.20 |
| 30 | 13.75 | 11.20 | 12.75 | 13.00 |
| 32 | 14.55 | 12.00 | 13.55 | 13.80 |
| 34 | 15.35 | 12.80 | 14.35 | 14.60 |
| 36 | 16.15 | 13.60 | 15.15 | 15.40 |
| 38 | 16.95 | 14.40 | 15.95 | 16.20 |
| 40 | 17.75 | 15.20 | 16.75 | 17.00 |
| 42 | 18.55 | 16.00 | 17.55 | 17.80 |
| 44 | 19.35 | 16.80 | 18.35 | 18.60 |
| 46 | 20.15 | 17.60 | 19.15 | 19.40 |
| 48 | 20.95 | 18.40 | 19.95 | 20.20 |
| 50 | 21.75 | 19.20 | 20.75 | 21.00 |
| 52 | 22.55 | 20.00 | 21.55 | 21.80 |

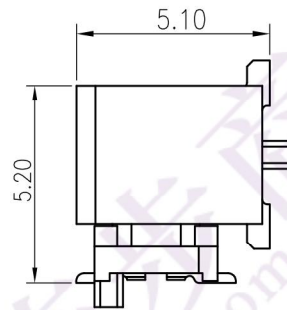
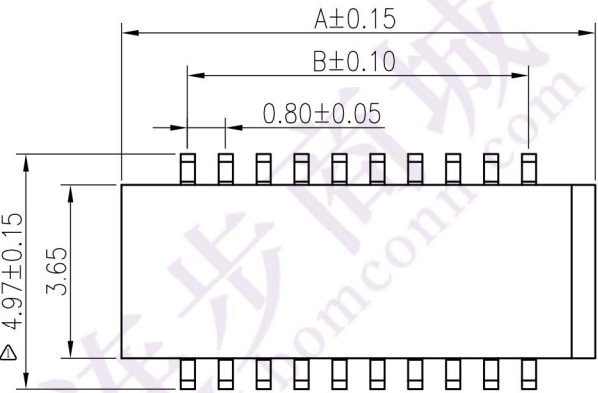


RECOMMENDED PCB PATTERN DIM.
TOLERANCE : ±0.05

| | | |
|-----------|------------------------------|-----------------|
| 新增焊锡脚位尺寸 | Kavin | 08/15/17 |
| 修订 SER | 修改摘要 REVISION DESCRIPTION | 签名 SIGNATURE |
| | 日期 DATE | 版本 (REV) B |

| | |
|---|--|
| CUSTOMER 东莞市文章济美电子有限公司 | |
| 一般公差 GENERAL TOLERANCE X ±0.25 .XX ±0.15 .XXX ±0.05 ANGLES ±1° | 制图 (DR): Kavin 2016.07.05 品名(TITLE): 0.8mm 侧插BTB |
| 审核 (CHKD): | 料号(PART NO): 5001-BDF0850-**MR-00 |
| 核准 (APPD): | 比例(SCALE): 1:8 单位(UNITS): mm 张数(SHEET): 1 OF 1 图幅(SIZE): A4 |



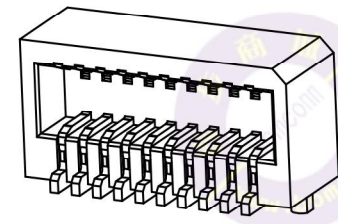
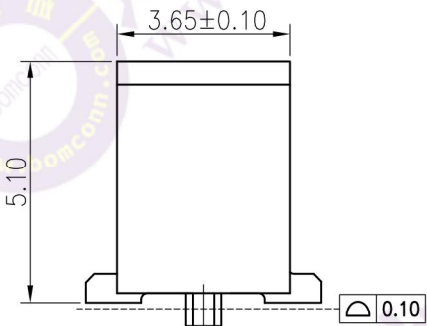
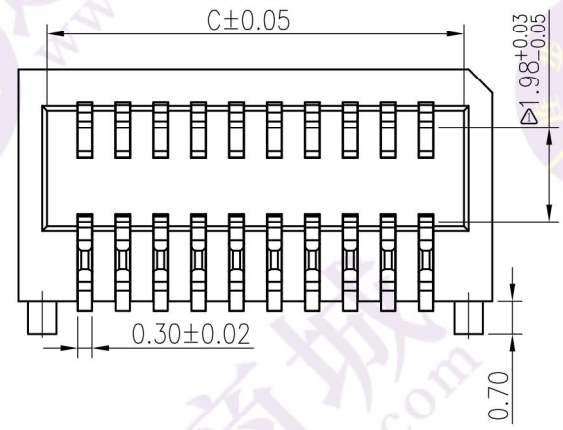


MATING HEIGHT
SCALE:1.25:1

NOTES:

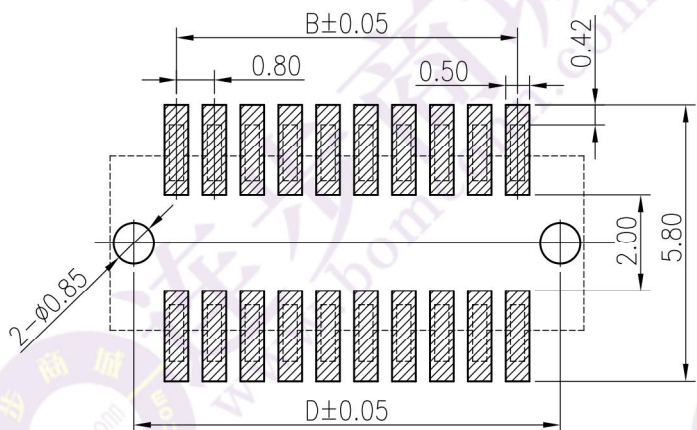
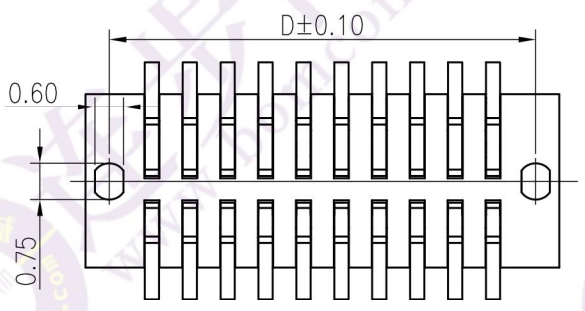
- HUOSING: PA9T HIGH-TEMP THERMOPLASTIC UL94V-0 COLOR:CREAM-COLOURED
- TERMINAL:PHOSPHOR BRONZE
PLATING:1μ" GOLD FLASH OVERALL 50~100μ" NICKEL UNDER PLATED.
- CODING INFORMATION: 5001-BDF 08 50-**-F R-00

The standby
Packing:R(卷)
FEMALE
PIN
MATING HEIGHT:50-5.0H
0.8BTB
JM CONN BTB CONNECTOR SERIES



3D VIEW

| NO. of contacts | Dimensions | | | |
|-----------------|------------|-------|-------|-------|
| | A. | B. | C. | D. |
| 4 | 3.60 | 0.80 | 2.40 | 2.60 |
| 6 | 4.40 | 1.60 | 3.20 | 3.40 |
| 8 | 5.20 | 2.40 | 4.00 | 4.20 |
| 10 | 6.00 | 3.20 | 4.80 | 5.00 |
| 12 | 6.80 | 4.00 | 5.60 | 5.80 |
| 14 | 7.60 | 4.80 | 6.40 | 6.60 |
| 16 | 8.40 | 5.60 | 7.20 | 7.40 |
| 18 | 9.20 | 6.40 | 8.00 | 8.20 |
| 20 | 10.00 | 7.20 | 8.80 | 9.00 |
| 22 | 10.80 | 8.00 | 9.60 | 9.80 |
| 24 | 11.60 | 8.80 | 10.40 | 10.60 |
| 26 | 12.40 | 9.60 | 11.20 | 11.40 |
| 28 | 13.20 | 10.40 | 12.00 | 12.20 |
| 30 | 14.00 | 11.20 | 12.80 | 13.00 |
| 32 | 14.80 | 12.00 | 13.60 | 13.80 |
| 34 | 15.60 | 12.80 | 14.40 | 14.60 |
| 36 | 16.40 | 13.60 | 15.20 | 15.40 |
| 38 | 17.20 | 14.40 | 16.00 | 16.20 |
| 40 | 18.00 | 15.20 | 16.80 | 17.00 |
| 42 | 18.80 | 16.00 | 17.60 | 17.80 |
| 44 | 19.60 | 16.80 | 18.40 | 18.60 |
| 46 | 20.40 | 17.60 | 19.20 | 19.40 |
| 48 | 21.20 | 18.40 | 20.00 | 20.20 |
| 50 | 22.00 | 19.20 | 20.80 | 21.00 |
| 52 | 22.80 | 20.00 | 21.60 | 21.80 |



RECOMMENDED PCB PATTERN DIM.

TOLERANCE : ±0.05

| | |
|---|------------------------------------|
| CUSTOMER 东莞市文章济美电子有限公司 | |
| 一般公差 GENERAL TOLERANCE X ±0.25 .XX ±0.15 .XXX ±0.05 ANGLES ±1° | 制图 (DR): Kavin 2016.07.05 |
| 新增焊锡脚位尺寸及接触GAP值 | 品名(TITLE): 0.8mm 侧插BTB |
| 修订 SER | 料号(PART NO): 5001-BDF0850-**-FR-00 |
| 修改摘要 REVISION DESCRIPTION | 比例(SCALE): 1:8 |
| 签名 SIGNATURE | 单位(UNITS): mm |
| 日期 DATE | 张数(SHEET): 1 OF 1 |
| 版本 (REV) B | 图幅(SIZE): A4 |
| 审核 (APPD): | |



新增焊锡脚位尺寸及接触GAP值
修订 SER
修改摘要 REVISION DESCRIPTION
签名 SIGNATURE
日期 DATE
版本 (REV) B