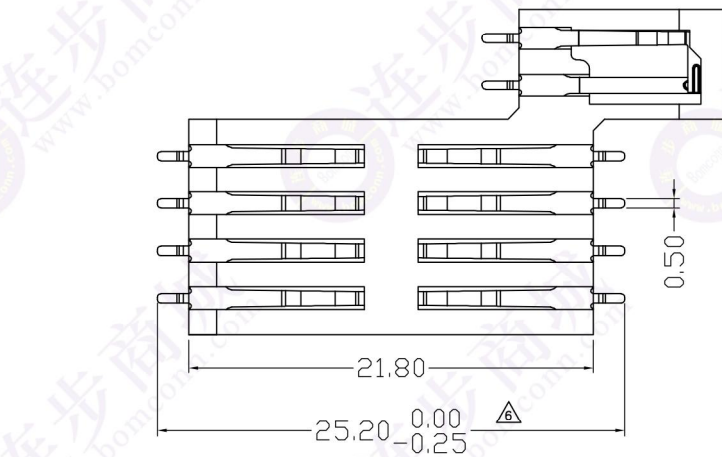
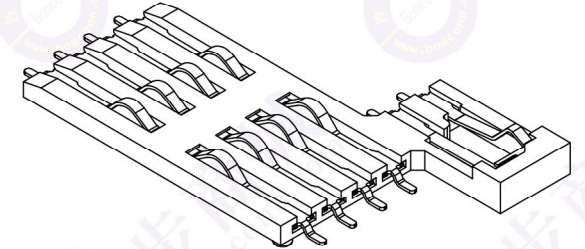
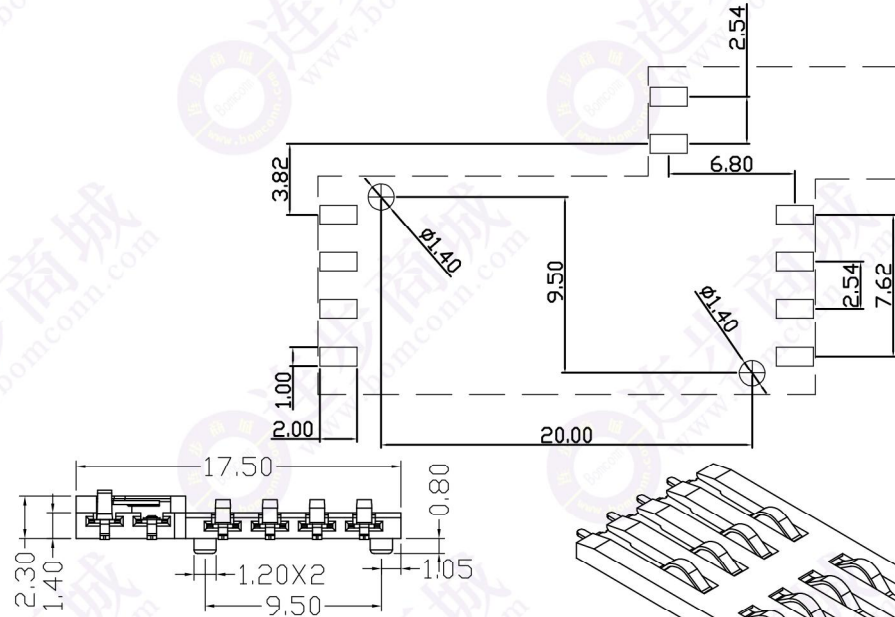
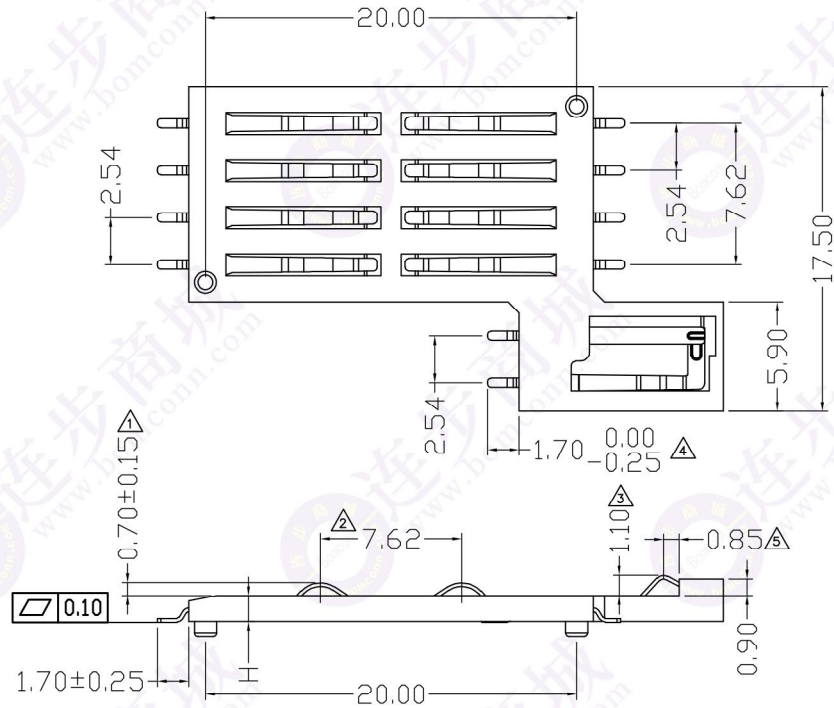


REV.	ECN.NO.	MODIFY.CONTENT	DATE

Recommended P.C.B Layout(Top Side)



H	PART NO.
1.40	5001-SM140-140
2.00	5001-SM200-141
2.50	5001-SM250-142
3.00	5001-SM300-143
3.40	5001-SM340-144
4.20	5001-SM420-145
4.70	5001-SM470-146

Notes:
Material: Phosphor Bronze(C5191-H)
SIMM Card Connector,With
Physical:
Housing: LCP(NY 9T) UL 94V-0
Contact: Selective Gold Flash
Specifications:
Voltage Current rating: 1A. 50V AC
Insulation Resistance: 1000Mohm Min
Contact Withstanding Voltage:
 AC 500V For 1 Minute
Temperture Rating: -40° To +85°

GENERAL TOLERANCE		图号	50011505-007	设计	Raliny.xu	比例	1:1
X.±0.30	x.'±5'	品名	MINI SMART CARD 8PIN左开关	审核	Raliny.xu	单位	mm
.X±0.25	.x'±2'			核准	Wang	视角	
.XX±0.15	.xx'±1'	料号	SEE TABLE	日期	2015/05/25	版本	A
.XXX±0.10	.xxx'±0.5'						
SHEET	1/1						

东莞市商阳电子有限公司