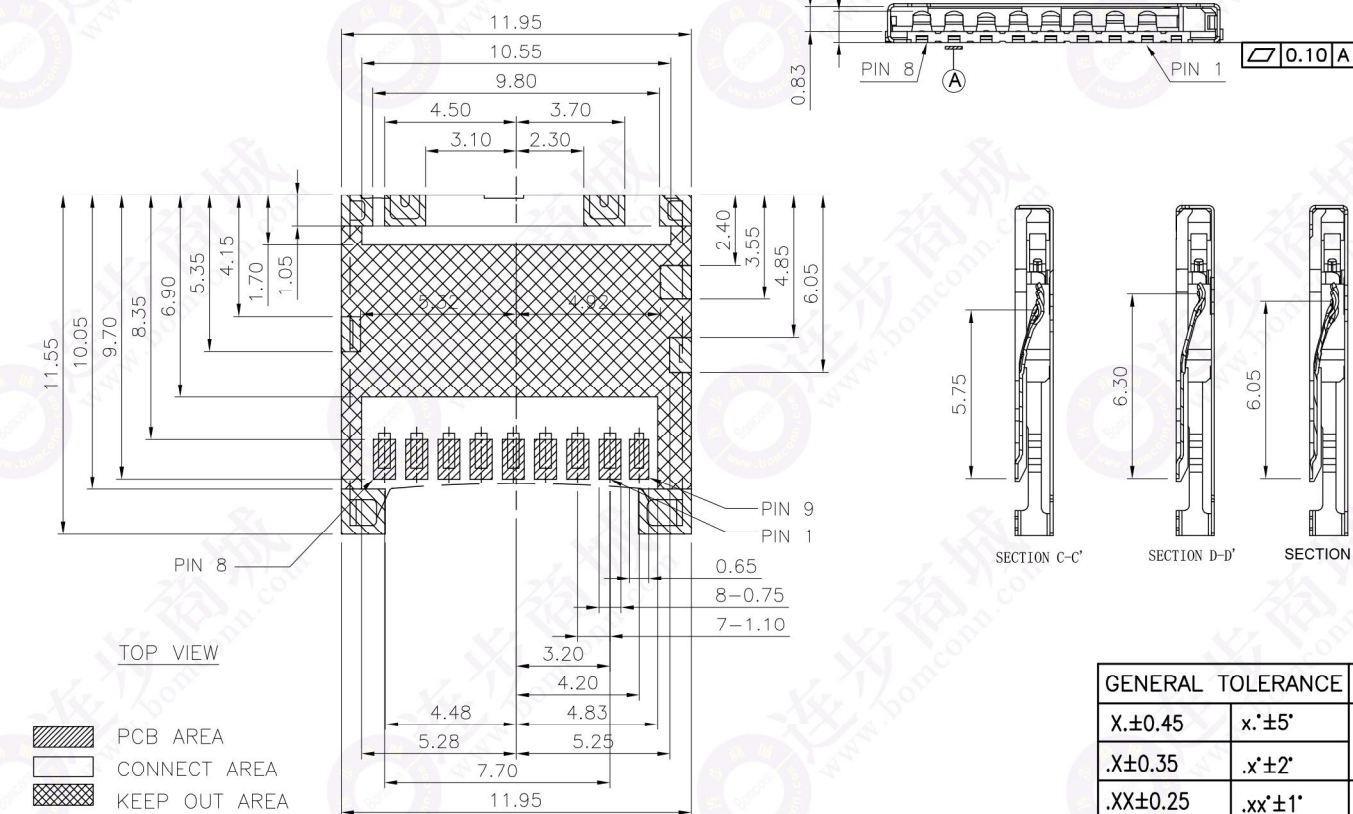
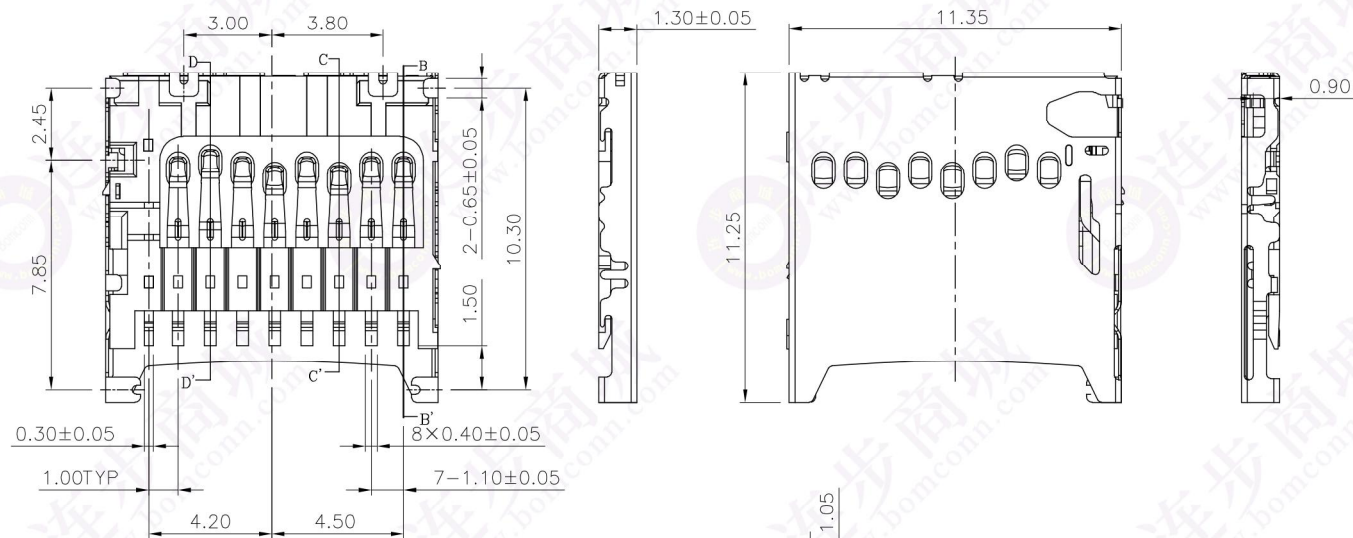


REV.	ECN.NO.	MODIFY.CONTENT	DATE
A		NEW	2014/02/29



TOP VIEW

- PCB AREA
- CONNECT AREA
- KEEP OUT AREA

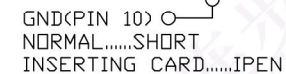
RECOMMEND PCB LAYOUT
TOLERANCE: ±0.05

MATERIALS

- HOUSING :THERMOPLASTIC (UL 94V-0).
- TERMINAL : COPPER ALLOY, PLATING SEE TABLE.
- SHELL : SUS.

SPECIFICATION

- CURRENT RATING : 0.5 A. MAX.
- DIELECTRIC WITHSTANDING VOLTAGE :
500V AC R.M.S. FOR 1 MINUTE.
- INSULATION RESISTANCE : 1000MΩ MIN.AT 500V DC.
- CONTACT RESISTANCE : 100mΩ MAX.
- OPERATING LIFE: 3000 CYCLES.
- OPERATING TEMPERATURE : -40°C TO +85°C.
- CIRCUIT DIAGRAM FOR CARD DETECT SWITCH
CARD DETECT SWITCH (PIN 9)



GENERAL TOLERANCE		DWG NO.	5001A0405-04	APPD:	WIND	Scale	1:1
X.±0.45	x.'±5'	Title	1.30mm T-FLASH CARD CONN.	CHKD:		UNIT	mm
.X±0.35	.x'±2'			DR:			
.XX±0.25	.xx'±1'	Part NO.	5001-TF0013D-09R1-039	Date	2014/02/29		
.XXX±0.15	.xxx'±0.5'						
SHEET	1/2	东莞市商阳电子有限公司					