

REV.	ECN.NO.	MODIFY.CONTENT	DATE
A		NEW	2014/12/29

Notes:

1.Material:

Housing: LCP 30%GF, UL94V-0, Black  
 Contact : Phosphor Bronze, T=0.15mm  
 Shell: SUS304-H, T=0.15mm

2.Plating:

Contact:

Contact Area: 3U" GOLD PLATED  
 Solder Area: G/F Gold  
 Underplating: Ni overall 50u" Min.

Shell:

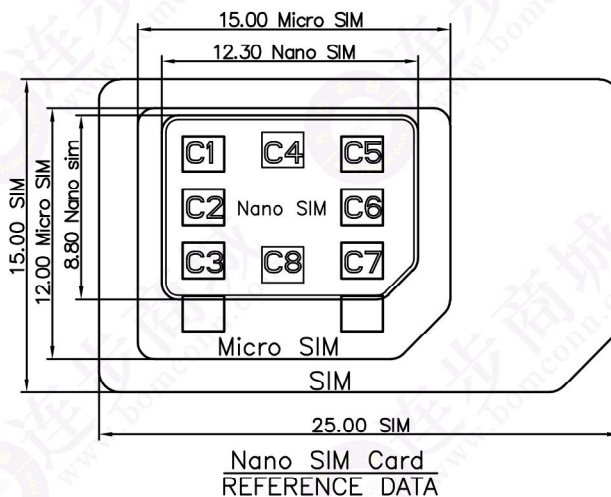
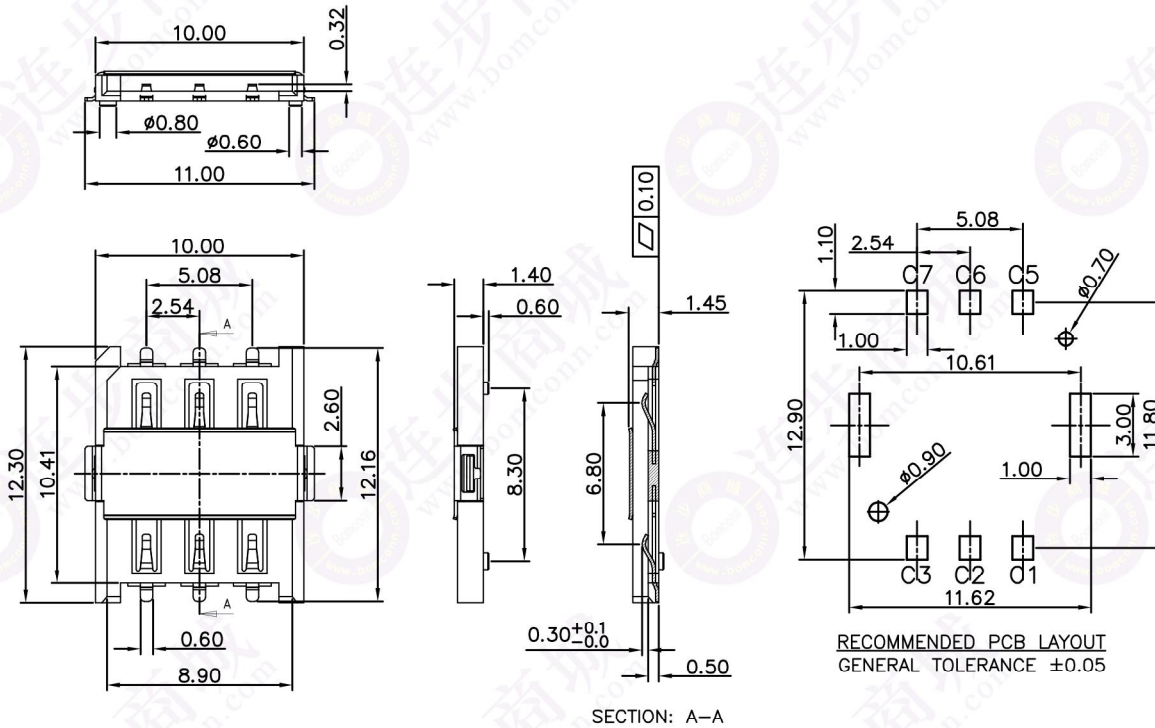
Solder Area: G/F Gold  
 Underplating: Ni overall 50u"

3.Mechanical:

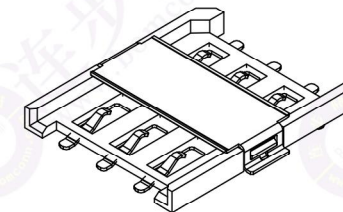
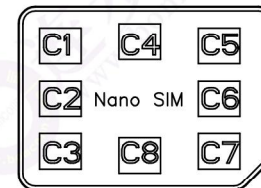
Life cycles: 5000.

4.Electrical:

Voltage Rating: 30V AC RMS  
 Current Rating: 0.5A AC RMS Max  
 Operating Temperature: -20°C to +80°C  
 Dielectric Withstanding Voltage: 100V AC (60Sec Min)  
 Insulation Resistance: 100MΩ Min  
 Contact Resistance: 30mΩ Max



- C1 --> VCC
- C2 --> RST
- C3 --> CLK
- C5 --> GND
- C6 --> VPP
- C7 --> I/O



DESCRIPTION OF PLATING ON TERMINALS			
NO.	EXPLAIN	NO.	EXPLAIN
0	GOLD FLASH	3	GOLD 15u"
1	GOLD 5u"	4	GOLD 20u"
2	GOLD 10u"	6	GOLD 30u"

GENERAL TOLERANCE		DWG NO.	5001A1229-001	APPD:		WIND		Scale	1:1
X.±0.45	x.'±5'	Title	NANO SIM SOCKET 6PIN 1.45H	CHKD:		Date	2014/12/29	UNIT	mm
.X±0.35	.x'±2'			DR:					
.XX±0.25	.xx'±1'	Part NO.	5001-SM3145A-06R1-06						
.XXX±0.15	.xxx'±0.5'								
SHEET	1/1	<p style="text-align: center;">东莞市商阳电子有限公司</p>							