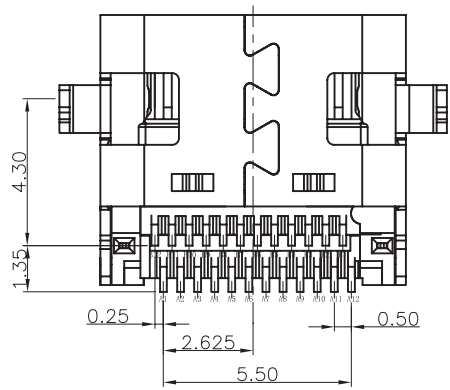
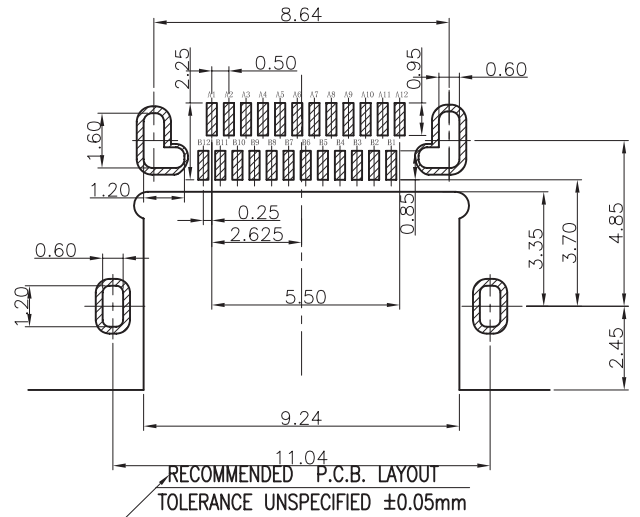
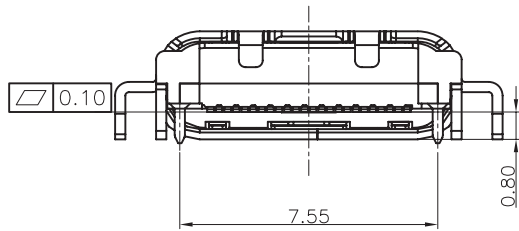
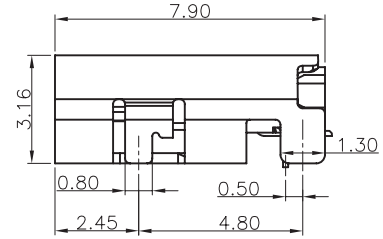
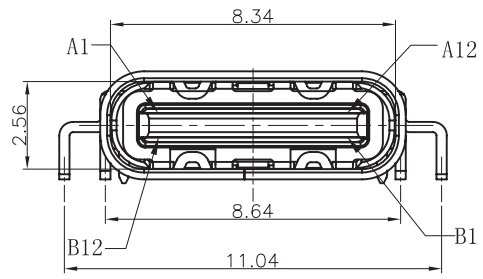
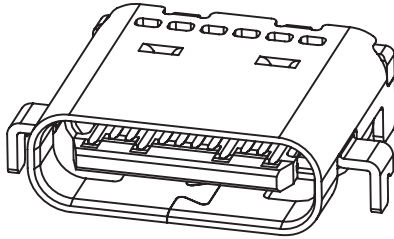
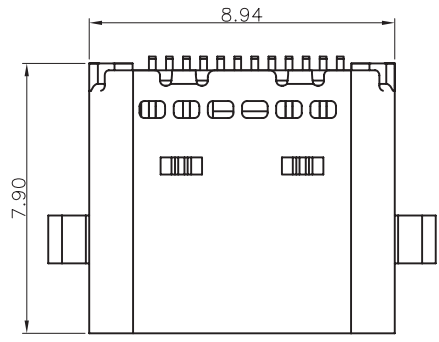


ECN NO.	REV	DATE	DESCRIPTION	APP'D
	A0	2020-5-19	drawing release	kevin

NOTES:

SPECIFICATION:

1. CURRENT RATING: 5.0A MAX
2. VOLTAGE: 100 VAC
3. TEMPERATURE RANGE: -30 °C ~ 85 °C
4. CONTACT RESISTANCE: 40 MILLIONHM MAX
5. INSULATION RESISTANCE: 100 MEGOHMS MIN.
6. LNSERTION FORCE : 5N~20N
7. UNMATING FORCE: 8N~20N
8. DURABILITY: 10,000 CYCLES



A1	GND	B12	GND
A2	SSTXP1	B11	SSRXP1
A3	SSTXN1	B10	SSRXN1
A4	VBUS	B9	VBUS
A5	CC1	B8	SBU2
A6	DP1	B7	DN2
A7	DN1	B6	DP2
A8	SBU1	B5	CC2
A9	VBUS	B4	VBUS
A10	SSRXN2	B3	SSTXN2
A11	SSRXP2	B2	SSTXP2
A12	GND	B1	GND
PIN	SIGNAL NAME	PIN	SIGNAL NAME

5	SHELL	STAINLESS STEEL	NI/SN Plated	1PCS
4	SPRING	STAINLESS STEEL	---	1PCS
3	SHIELDING PLATE	STAINLESS STEEL	NI Plated	1PCS
2	CONTACT	COPPER ALLOY	Au/Ni Plated	1SET
1	HOUSING	HIGH TEMPERATURE PLASTIC	BLACK	1PCS
NO.	DESCRIPTION	MATERIAL	REMARKS	QTY

LINEAR	ANGLE	NAME (INTENDED USE)	TITLE: CUSTOMER DRAWING USB C F 双排沉板0.8 CONN. DWG NO.: UB-0016 UNITS: mm SCALE: N/A SHEET: 1/1 REV.: A0
X. ±0.50	X° ± 2°	TYPE C F	
.X ±0.30	.X° ± 1°	PART NO. (INTENDED USE)	
.XX ±0.20	.XX° ± 0.5°	UB24-81421003	
.XXX ±0.10		APPD: kevin.huang	
GENERAL TOLERANCE UNLESS OTHERWISE NOTED		CHKD: kevin.huang	
		DR: kevin.huang 9/14-16	