

版次 (Edition)	变更摘要 (Change The Content)	日期 (Date)	序号 (NO.)	品名 (Name)	材质 (Material)
0	新产品发行 (New Product Launch)	2018/03/19			

技术指标 (Technical Index):

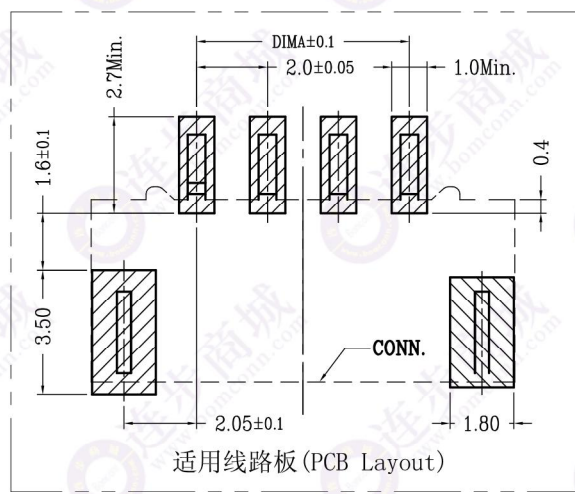
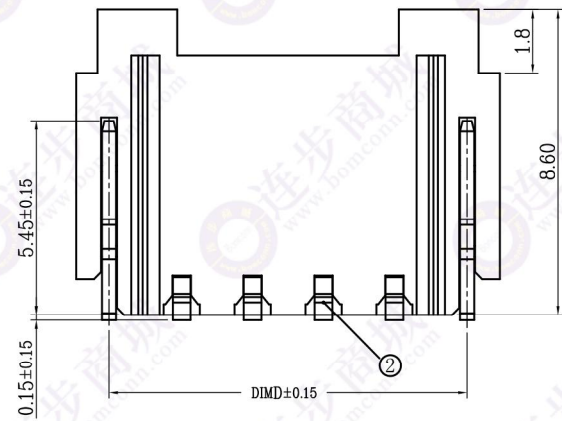
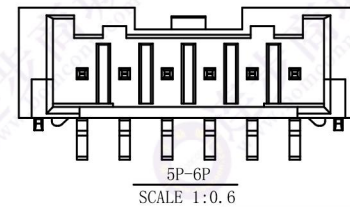
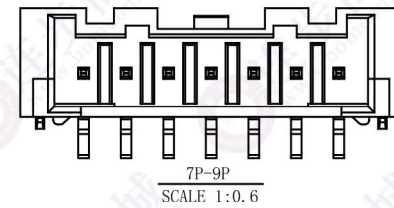
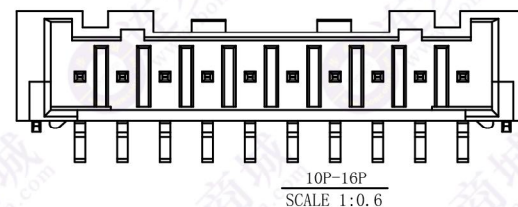
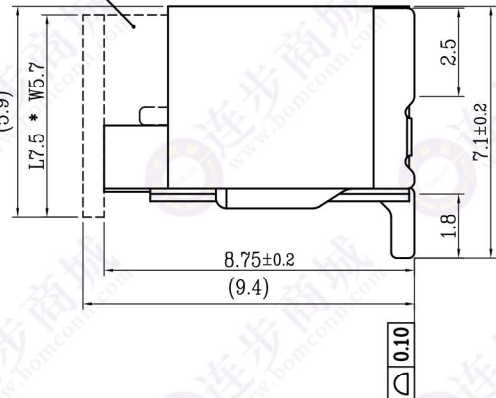
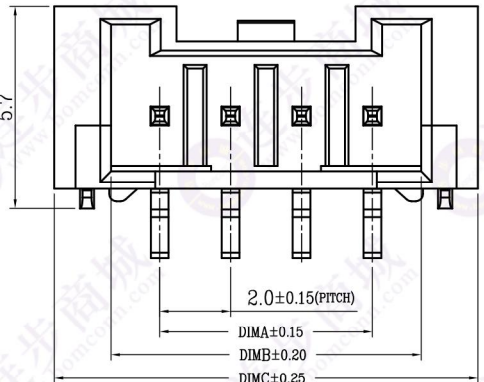
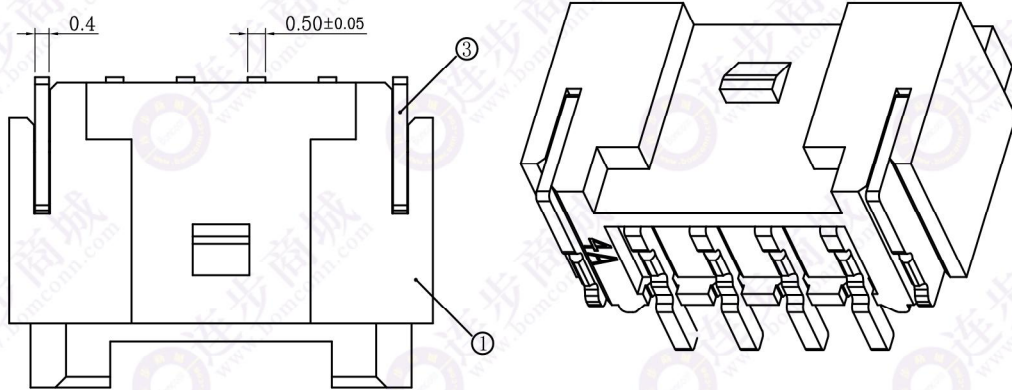
- 塑件表面应光洁、无毛边、无明显收缩、缺陷、裂纹等现象。
(The surface of the plastic parts should be smooth, no rough edges, no obvious shrinkage, defects, cracks and other phenomena)
- 工作温度 (Temperature range): $-25^{\circ}\text{C} \sim +85^{\circ}\text{C}$.
- 额定电压 (Rated voltage): 250V, AC/DC.
- 额定电流: 3.0A, AC/DC.
- 接触电阻 (Contact resistance): $\leq 20\text{m}\Omega$.
- 绝缘电阻 (Insulation resistance): $\geq 1000\text{M}\Omega$.
- 耐电压 (Withstanding Voltage): 800V AC/minute.
- 产品料号 (Product material No.):

①	2.0 R型卧式WTB胶芯 2.0 Pitch R/A Wire To Board Housing(H=5.7)	PA6T UL94V-0 米黄色Natural
②	2.0 R型立式WTB端子 2.0 Pitch S/T Wire To Board Terminal(H=8.7)	铜合金/表面镀锡 Copper Alloy/ Tin Plating
③	2.0 R型卧式WTB焊片 2.0 Pitch R/A Wire To Board Fitting Nail(H=5.7)	铜合金/表面镀锡 Copper Alloy/ Tin Plating
④	2.0 R型立式WTB吸盖 2.0 Pitch S/T Wire To Board Cover(H=8.7)	LCP UL94V-0 黑色Black

BOM-HY 0020 B-**-R 1-00

Bom CONNECTOR SERIES
Pitch: 2.0
Vertical patch

ALTERNATE
Packing: R (卷)
Pin T (管)



适用线路板 (PCB Layout)

CKT	A	B	C	D
2	2.0	4.75	7.95	6.1
3	4.0	6.75	9.95	8.1
4	6.0	8.75	11.95	10.1
5	8.0	10.75	13.95	12.1
6	10.0	12.75	15.95	14.1
7	12.0	14.75	17.95	16.1
8	14.0	16.75	19.95	18.1
9	16.0	18.75	21.95	20.1
10	18.0	20.75	23.95	22.1
11	20.0	22.75	25.95	24.1
12	22.0	24.75	27.95	26.1
13	24.0	26.75	29.95	28.1
14	26.0	28.75	31.95	30.1
15	28.0	30.75	33.95	32.1
16	30.0	32.75	35.95	34.1

深圳市少冲精密电子有限公司



一般公差 (TOLERANCE)
X ±0.50 XX ±1.0
X ±0.20 XXX ±0.05
ANGLES ±1°

品名 (TITLE)	2.00 Pitch R型立式WTB 2.0 PITCH HS.7 S/T WIRE TO BOARD SMT CONN.	制图 (DR)	Anlan
料号 (DWG.NO)	BOM-HY0020B-**-R1-00	校对 (CHKD)	王涛
比例 (SCALE)	1:1	审核 (APPD)	黄志明
单位 (UNITS)	mm	张数 (SHEET)	1 OF 1
		尺寸 (SIZE)	A4
		REV	A