

版次 (Ed)	变更摘要 (Change The Content)	日期 (Date)	序号 (NO.)	品名 (Name)	材质 (Material)
0	新产品发行 (New Product Launch)	2017/09/06	①	2.00 F型卧式2代WTB胶芯 2.00 Pitch R/A Wire To Board Housing (H=5.2)	LCP UL94V-0 本色 Natural

②	2.00 F型卧式2代WTB端子 2.00 Pitch R/A Wire To Board Terminal (H=5.2)	铜合金/表面镀锡 Copper Alloy/ Tin Plating
③	2.00 F型卧式WTB焊片 2.00 Pitch R/A Wire To Board Fitting Nail (H=5.6)	铜合金/表面镀锡 Copper Alloy/ Tin Plating

技术指标 (Technical Index):

1. 温度范围 (Temperature range): $-25^{\circ}\text{C} \sim +85^{\circ}\text{C}$.
2. 额定电压 (Rated voltage): 200V, AC.
3. 额定电流 (Rated Current): 2A AC/DC
4. 接触电阻 (Contact resistance): $\leq 20\text{m}\Omega$
5. 绝缘电阻 (Insulation resistance): $\geq 1000\text{M}\Omega$
6. 产品料号 (Product material No.):

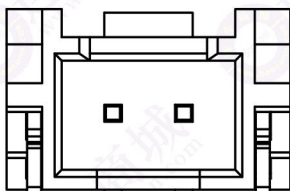
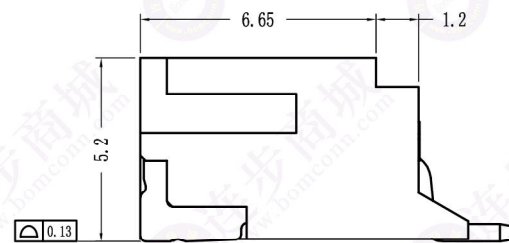
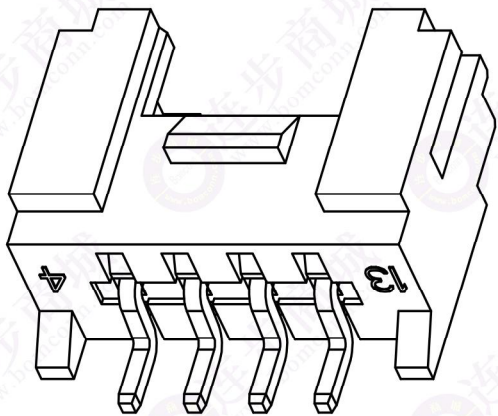
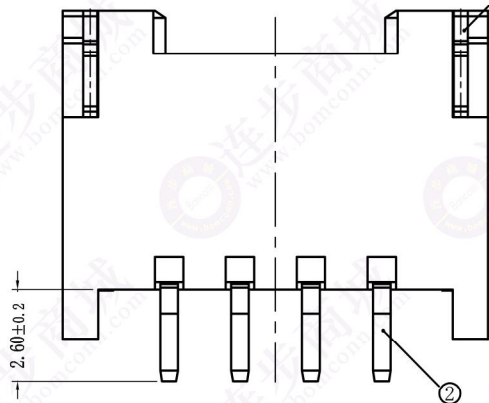
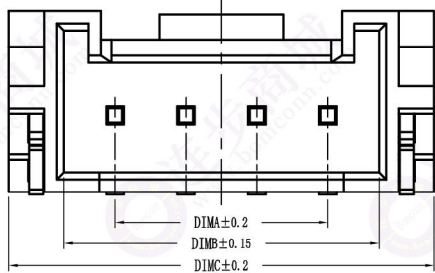
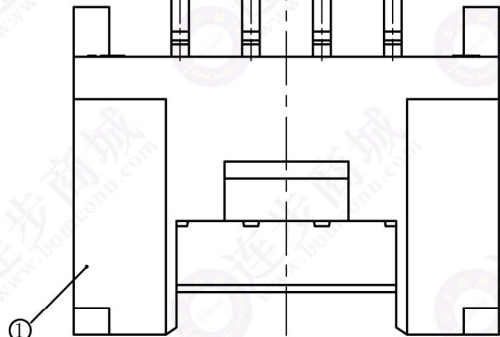
5001-HY 0020 A-** R 1-00

JM CONNECTOR SERIES
Pitch: 2.0
Horizontal patch

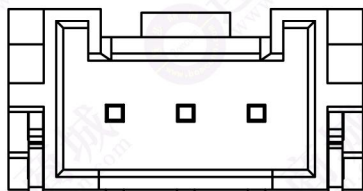
ALTERNATE
Packing: R (卷)
Pin
T (管)

CKT	DIM A	DIM B	DIM C
2	2.00	4.90	8.00
3	4.00	6.90	10.00
4	6.00	8.90	12.00
5	8.00	10.90	14.00
6	10.00	12.90	16.00
7	12.00	14.90	18.00
8	14.00	16.90	20.00
9	16.00	18.90	22.00
10	18.00	20.90	24.00
11	20.00	22.90	26.00
12	22.00	24.90	28.00
13	24.00	26.90	30.00
14	26.00	28.90	32.00
15	28.00	30.90	34.00
16	30.00	32.90	36.00
17	32.00	34.90	38.00
18	34.00	36.90	40.00
19	36.00	38.90	42.00
20	38.00	40.90	44.00

$N=0.5 \pm 0.03$ (SQ) 2.00 ± 0.15 (PITCH)

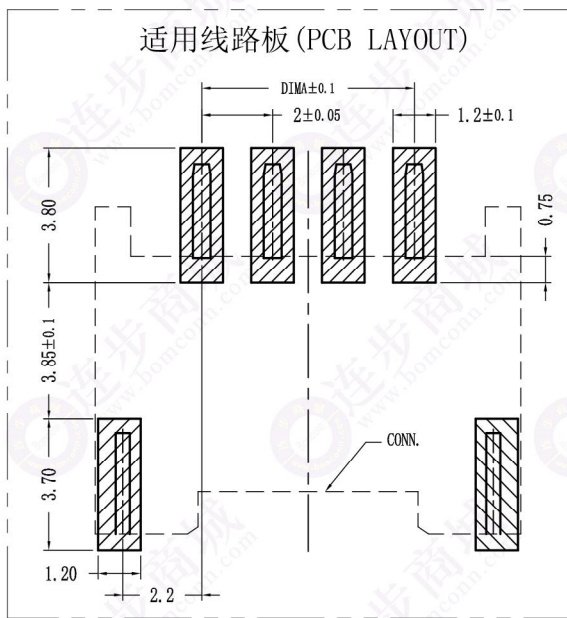


2 PIN 结构样式
(Structural style)



3 PIN 结构样式
(Structural style)

适用线路板 (PCB LAYOUT)



一般公差 (TOLERANCE)
X, ± 0.50 .XX ± 0.10
.X ± 0.30 .XXX ± 0.05
ANGLES $\pm 1^{\circ}$

东莞市文章济美电子有限公司
DongGuan WenZhang JiMei Electronics Co., Ltd

品名 (TITLE)	2.00 Pitch F型卧式2代WTB 2.00 PITCH H5.2 R/A WIRE TO BOARD SMT CONN.	制图 (DR)	Anlan
料号 (DWG. NO)	5001-HY0020A-**R1-00	校对 (CHKD)	王涛
比例 (SCALE)	1:1	审核 (APFD)	黄志明
单位 (UNITS)	mm	张数 (SHEET)	1 OF 1
尺寸 (SIZE)	A4	REV	A