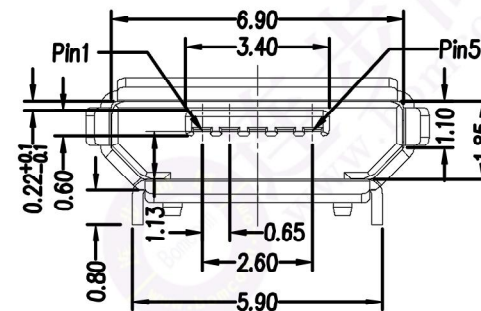


RECOMMENDED PCB LAYOUT

PCB图仅供参考



备注:

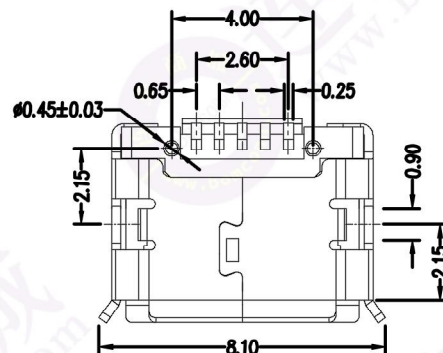
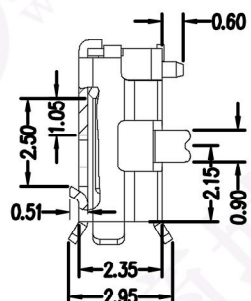
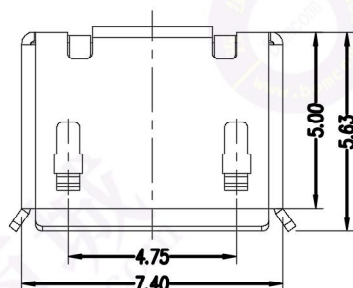
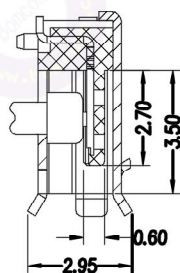
1. 产品规格:

- 1-1. 插入力: 35N MAX.
- 1-2. 拔出力: 10N MIN. INITIAL 8-20N AFTER
- 1-3. 额定电流: 1.0A
- 1-4. 额定电压: 30V
- 1-5. 耐久性: 10000 CYCLES MIN.
- 1-6. 耐电压: 100V AC MIN.
- 1-7. 接触阻抗: 30mΩ MAX. INITIAL; 40mΩ MAX AFTER
- 1-8. 绝缘电阻: 100MΩ MIN
- 1-9. 工作温度: -30° TO +80°

2. 材质:

- 2.1 胶芯: LCP UL94V-0
- 2.2 端子: C2680R-H, 镍底, 镀金  $1 \mu$ "
- 2.3 外壳: SUS201/301, 表面镀雾锡/镀镍

3. 重点尺寸标识"▲"符号



东莞市文章济美电子有限公司

|  |              |       |               |                        |
|--|--------------|-------|---------------|------------------------|
| TOLERANCE:<br>X.X ±0.30<br>X.XX ±0.20<br>X.XXX ±0.10<br>X.° ±10°<br>X.° ±8°<br>X.° ±5° | DRAWN BY:    | DATE: | PART NAME:    |                        |
|  | 刘志强          |       | MCSP母座5.9插板卷边 |                        |
| <br>UNIT: mm [inch]<br>SCALE: 1:1 SIZE: A4   | CHECKED BY:  | DATE: | PART NO.      | 5001-UMK059J01-01R1-00 |
|  | 李毅           |       | MOLD NO.      |                        |
|  | APPROVED BY: | DATE: | DRAW NO.      | 500100000125           |
|  | 张少辉          |       | SHEET NO.     | 1 OF 1                 |