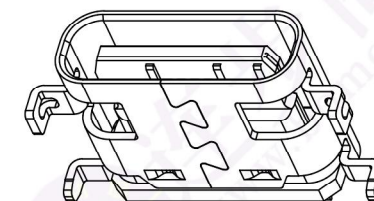
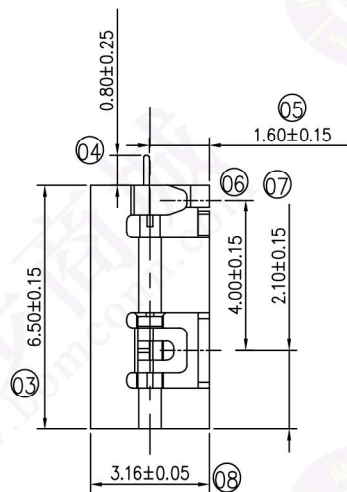
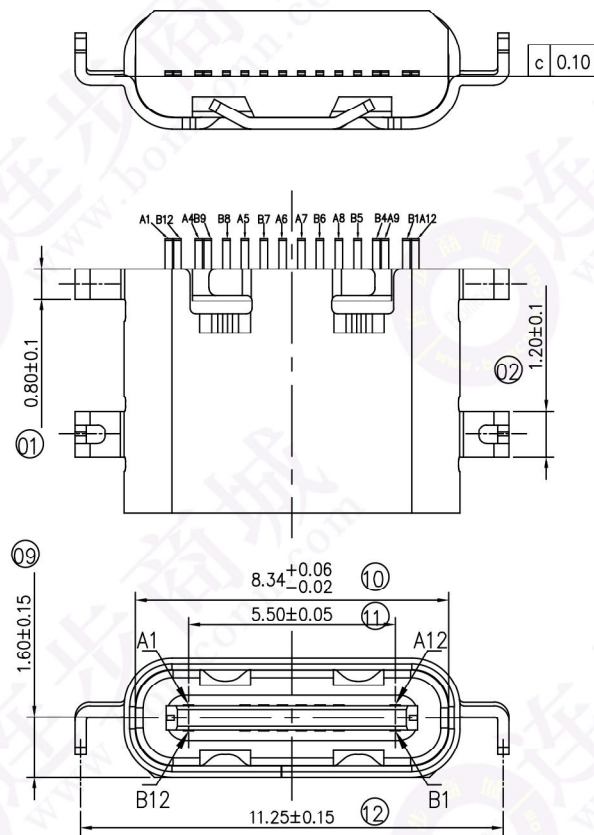
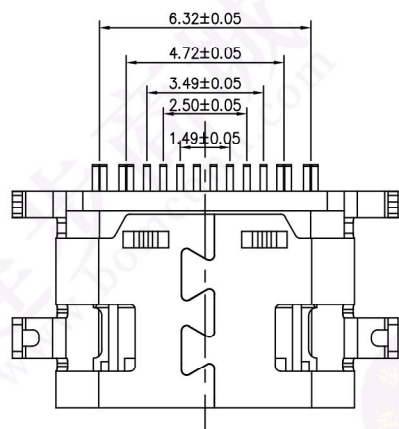
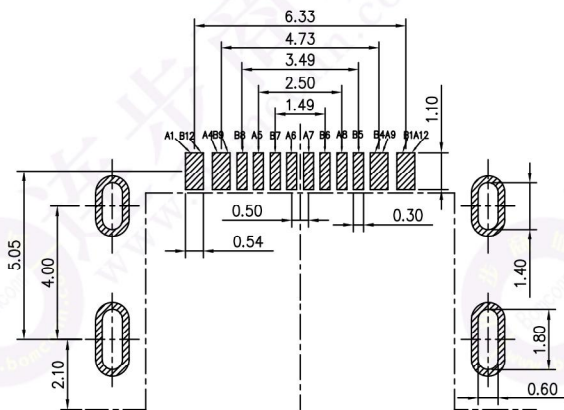


受控文件



NOTES:

- MECHANICAL: MATING FORCE: 5-20N .
UNMATING FORCE: 8-20N .
DURABILITY: 10000 CYCLES MIN.
- ELECTRICAL:
CURRENT: 5.0A MAX
VOLTAGE: 20V MAX
WITHSTANDING VOLTAGE: 100V AC
CONTACT RESISTANCE: 40 mΩ MAX INITIAL;
50 mΩ MAX AFTER 10000 CYCLES
- ENVIRONMENTAL:
OPERATING TEMPERATURE RANGE -30°C ~ +80°C
- Salt Spray: 24H

A1	GND	B12	GND
A2		B11	
A3		B10	
A4	VBUS	B9	VBUS
A5	CC1	B8	SBU2
A6	D+	B7	D-
A7	D-	B6	D+
A8	SBU1	B5	CC2
A9	VBUS	B4	VBUS
A10		B3	
A11		B2	
A12	GND	B1	GND

BOM			
序号	名称	用量	品名规格
1	外壳	1	Typec 16PIN 沉板 0.8 外壳 SUS304 T=0.30mm
2	Molding 3	1	Typec 16PIN 沉板 0.8 Molding C7025 T=0.15 PA9T黑色 半成品
2.1	Molding 1	1	Typec 16PIN 沉板 0.8 Molding A C7025 PA9T黑色
2.2	Molding 2	1	Typec 16PIN 沉板 0.8 Molding B C7025 PA9T黑色
2.3	卡勾	1	Typec 16PIN 沉板 卡勾 SUS301 T=0.15mm

东莞市文章济美电子有限公司

TOLERANCE: X.X ±0.30 X.XX ±0.20 X.XXX ±0.10 X.X° ±10° X.X° ±8° X° ±5°	DRAWN BY:	DATE:	PART NAME:	
	刘志强		Type-C 16PIN 沉板1.6 L=6.5mm	
UNIT: mm [inch] SCALE: 1:1 SIZE: A4	CHECKED BY:	DATE:	PART NO.	5001-UPC6514-16R1-00
	李毅		MOLD NO.	
	APPROVED BY:	DATE:	DRAW NO.	5001001622
	张少辉		SHEET NO.	1 OF 1