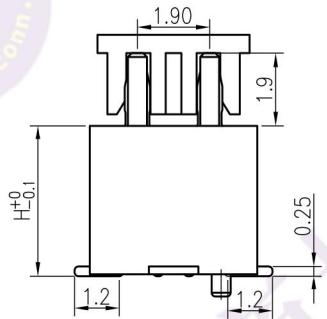
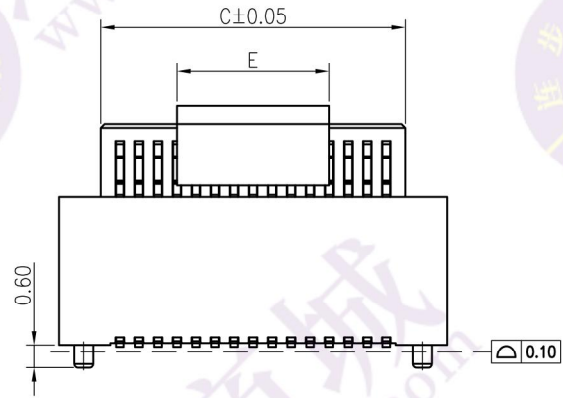


NOTES:

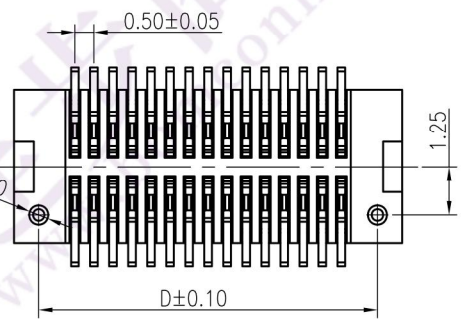
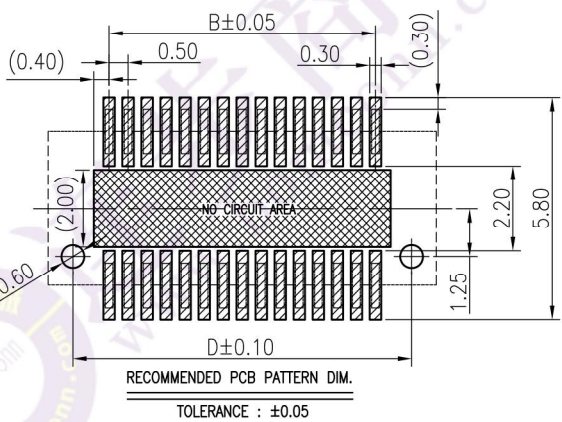
- HUOSING: PA9T HIGH-TEMP THERMOPLASTIC UL94V-0 COLOR:BLACK
- TERMINAL:PHOSPHOR BRONZE  
PLATING:1μ" GOLD FLASH OVERALL 50~100μ" NICKEL UNDER PLATED.
- CODING INFORMATION: 5001-BSC 05 40-\*\*-\*\* M R-00

The standby Packing: R(卷)  
MALE  
PIN  
MATING HEIGHT: 40-4.0H  
0.5BTB  
JM CONN BTB CONNECTOR SERIES

3D VIEW



MATING HEIGHT	PLUG (H.)	SOCKET (H.)	NO. of contacts	Dimensions				E.	NO. of contacts	Dimensions			
				A	B	C	D			A	B	C	D
7.0	4.0	3.0	4	3.70	0.50	1.50	2.40	4.00	54	16.20	13.00	14.00	14.90
			6	4.20	1.00	2.00	2.90		56	16.70	13.50	14.50	15.40
7.5	4.0	3.5	8	4.70	1.50	2.50	3.40		58	17.20	14.00	15.00	15.90
8.0	4.0	4.0	10	5.20	2.00	3.00	3.90		60	17.70	14.50	15.50	16.40
			12	5.70	2.50	3.50	4.40		62	18.20	15.00	16.00	16.90
			14	6.20	3.00	4.00	4.90		64	18.70	15.50	16.50	17.40
			16	6.70	3.50	4.50	5.40		66	19.20	16.00	17.00	17.90
			18	7.20	4.00	5.00	5.90		68	19.70	16.50	17.50	18.40
			20	7.70	4.50	5.50	6.40		70	20.20	17.00	18.00	18.90
			22	8.20	5.00	6.00	6.90		72	20.70	17.50	18.50	19.40
			24	8.70	5.50	6.50	7.40	74	21.20	18.00	19.00	19.90	
			26	9.20	6.00	7.00	7.90	76	21.70	18.50	19.50	20.40	
			28	9.70	6.50	7.50	8.40	78	22.20	19.00	20.00	20.90	
			30	10.20	7.00	8.00	8.90	80	22.70	19.50	20.50	21.40	
			32	10.70	7.50	8.50	9.40	82	23.20	20.00	21.00	21.90	
			34	11.20	8.00	9.00	9.90	84	23.70	20.50	21.50	22.40	
			36	11.70	8.50	9.50	10.40	86	24.20	21.00	22.00	22.90	
			38	12.20	9.00	10.00	10.90	88	24.70	21.50	22.50	23.40	
			40	12.70	9.50	10.50	11.40	90	25.20	22.00	23.00	23.90	
			42	13.20	10.00	11.00	11.90	92	25.70	22.50	23.50	24.40	
			44	13.70	10.50	11.50	12.40	94	26.20	23.00	24.00	24.90	
			46	14.20	11.00	12.00	12.90	96	26.70	23.50	24.50	25.40	
			48	14.70	11.50	12.50	13.40	98	27.20	24.00	25.00	25.90	
			50	15.20	12.00	13.00	13.90	100	27.70	24.50	25.50	26.40	
			52	15.70	12.50	13.50	14.40						

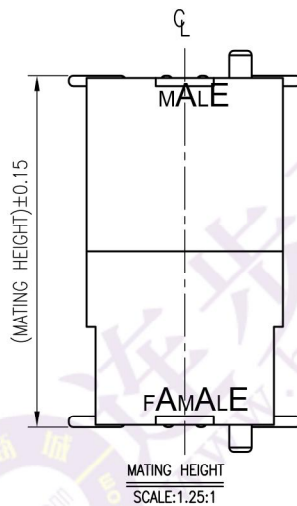
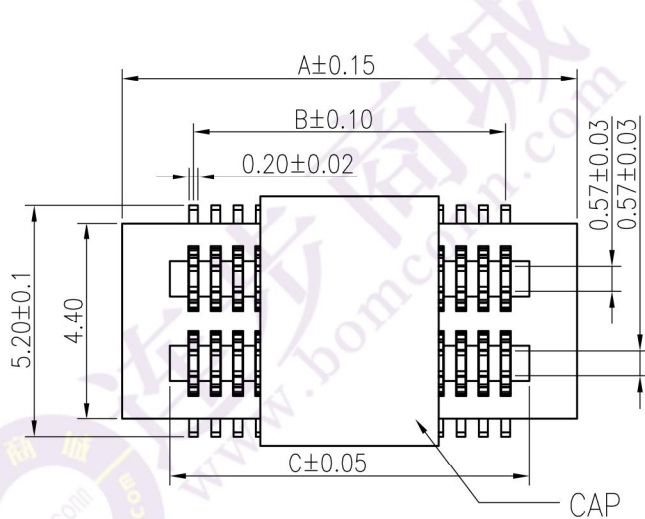


新增CAP规格	Kavin	02/17/17'
产品料号修正	Kavin	12/01/16'
修改摘要	签名	日期
REVISION DESCRIPTION	SIGNATURE	DATE

**RoHS Compliant**  
2013/95/EC

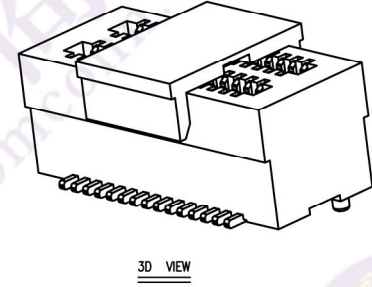


CUSTOMER 东莞市文章济美电子有限公司	
一般公差 GENERAL TOLERANCE X ±0.25 .XX ±0.15 .XXX ±0.05 ANGLES ±1°	制图 (DR): Kavin 2016.07.05 品名(TITLE): 0.5mm 双槽BTB MALE 审核 (CHKD): 料号(PART NO): 5001-BSC0540-**-MR-00 比例(SCALE): 1:8 单位(UNITS): mm 张数(SHEET): 1 OF 1 图幅(SIZE): A4
反本 (REV) B	核准 (APPD): 比例(SCALE): 1:8 单位(UNITS): mm 张数(SHEET): 1 OF 1 图幅(SIZE): A4

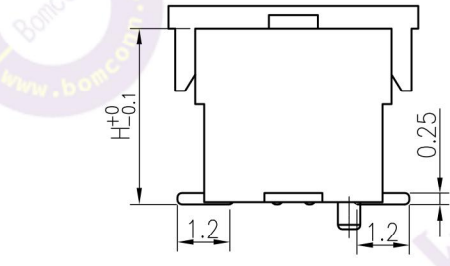
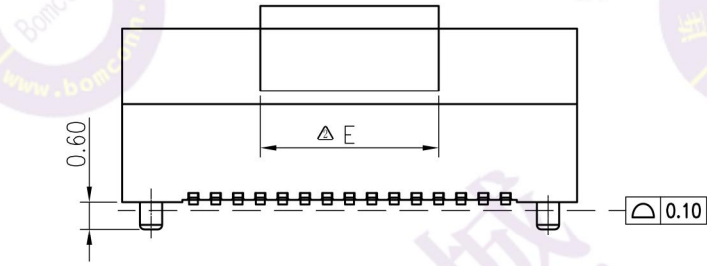
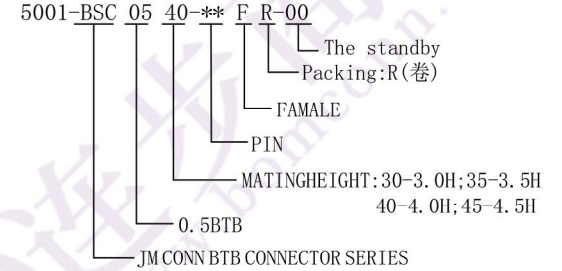


NOTES:

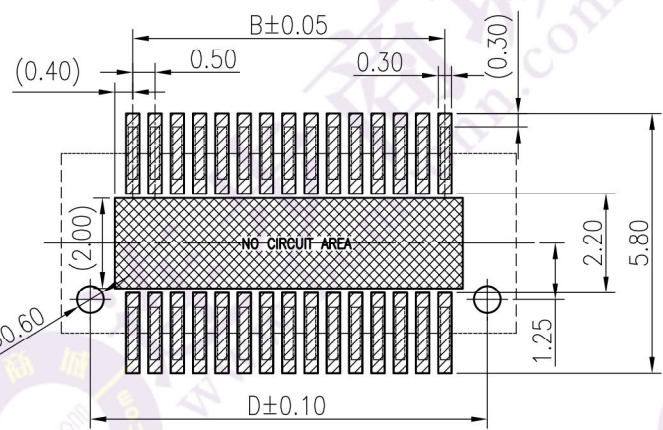
- HUOSING: PA9T HIGH-TEMP THERMOPLASTIC UL94V-0 COLOR:BLACK
- TERMINAL:PHOSPHOR BRONZE  
PLATING:1μ" GOLD FLASH OVERALL 50~100μ" NICKEL UNDER PLATED.
- CODING INFORMATION:



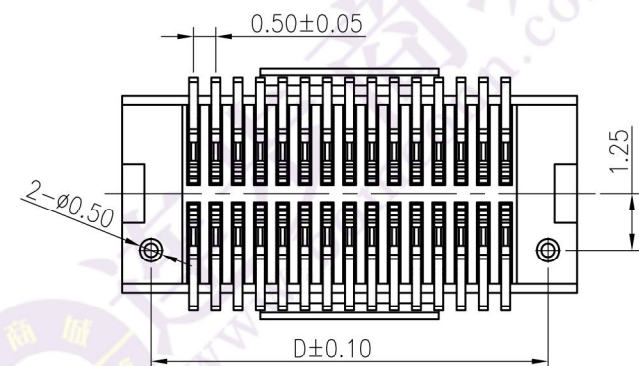
3D VIEW



MATING HEIGHT	PLUG (H.)	SOCKET (H.)	No.of contacts	Dimensions					No.of contacts	Dimensions				
				A	B	C	D	E		A	B	C	D	E
7.0	4.0	3.0	4	3.70	0.50	1.56	2.40		54	16.20	13.00	14.06	14.90	
			6	4.20	1.00	2.06	2.90		56	16.70	13.50	14.56	15.40	
7.5	4.0	3.5	8	4.70	1.50	2.56	3.40		58	17.20	14.00	15.06	15.90	
			10	5.20	2.00	3.06	3.90		60	17.70	14.50	15.56	16.40	
8.0	4.0	4.0	12	5.70	2.50	3.56	4.40		62	18.20	15.00	16.06	16.90	
			14	6.20	3.00	4.06	4.90		64	18.70	15.50	16.56	17.40	
			16	6.70	3.50	4.56	5.40		66	19.20	16.00	17.06	17.90	
			18	7.20	4.00	5.06	5.90		68	19.70	16.50	17.56	18.40	
			20	7.70	4.50	5.56	6.40		70	20.20	17.00	18.06	18.90	
			22	8.20	5.00	6.06	6.90		72	20.70	17.50	18.56	19.40	
			24	8.70	5.50	6.56	7.40		74	21.20	18.00	19.06	19.90	
			26	9.20	6.00	7.06	7.90		76	21.70	18.50	19.56	20.40	
			28	9.70	6.50	7.56	8.40		78	22.20	19.00	20.06	20.90	
			30	10.20	7.00	8.06	8.90		80	22.70	19.50	20.56	21.40	
			32	10.70	7.50	8.56	9.40		82	23.20	20.00	21.06	21.90	
			34	11.20	8.00	9.06	9.90		84	23.70	20.50	21.56	22.40	
			36	11.70	8.50	9.56	10.40		86	24.20	21.00	22.06	22.90	
			38	12.20	9.00	10.06	10.90		88	24.70	21.50	22.56	23.40	
			40	12.70	9.50	10.56	11.40		90	25.20	22.00	23.06	23.90	
			42	13.20	10.00	11.06	11.90		92	25.70	22.50	23.56	24.40	
			44	13.70	10.50	11.56	12.40		94	26.20	23.00	24.06	24.90	
			46	14.20	11.00	12.06	12.90		96	26.70	23.50	24.56	25.40	
			48	14.70	11.50	12.56	13.40		98	27.20	24.00	25.06	25.90	
			50	15.20	12.00	13.06	13.90		100	27.70	24.50	25.56	26.40	
			52	15.70	12.50	13.56	14.40							



RECOMMENDED PCB PATTERN DIM.  
TOLERANCE : ±0.05



**CUSTOMER** 东莞市文章济美电子有限公司

一般公差  
GENERAL TOLERANCE  
X ±0.25  
.XX ±0.15  
.XXX ±0.05  
ANGLES ±1°

制图 (DR): Kavin 2016.07.05  
品名(TITLE): 0.5mm 双槽BTB FEMALE

审核 (CHKD):  
料号(PART NO): 5001-BSC0540-\*\*-FR-00

版本 (REV) C  
比例(SCALE): 1:8  
单位(UNITS): mm  
张数(SHEET): 1 OF 1  
图幅(SIZE): A4

新增CAP规格	Kavin	02/17/17'
产品料号修正	Kavin	12/01/16'
修改摘要 REVISION DESCRIPTION	签名 SIGNATURE	日期 DATE

