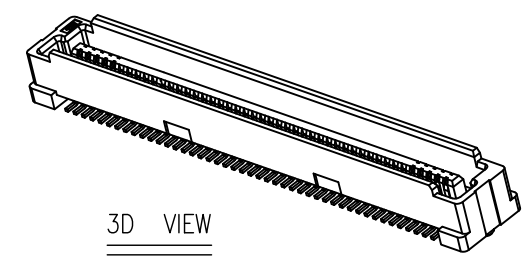
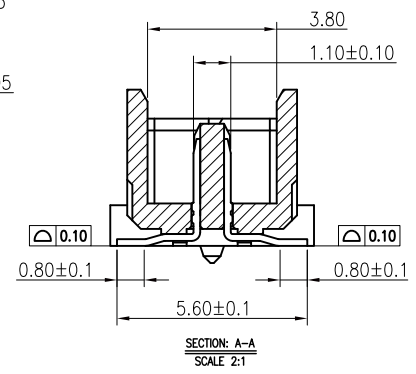
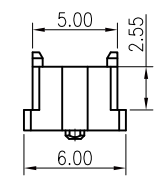


RECOMMENDED P.C. BOARD LAYOUT

NOTES:

- 1.HUOSING: LCP HIGH-TEMP THERMOPLASTIC UL94V-0 COLOR:BEIGE
- 2.TERMINAL:PHOSPHOR BRONZE  
PLATING:1μ" GOLD FLASH OVERALL 50~100μ" NICKEL UNDER PLATED.
- 3.CODING INFORMATION: 5001-BDF 08 38-\*\* M R-00

The standby  
Packing: R (卷)  
MALE  
PIN  
MATING HEIGHT: 38-3.8H  
0.8BTB  
JM CONN BTB CONNECTOR SERIES



3D VIEW

NO.of contacts	Dimensions			
	A.	B.	C.	D.
40	21.80	15.20	16.80	20.20
60	29.80	23.20	24.80	28.20
80	37.80	31.20	32.80	36.20
100	45.80	39.20	40.80	44.20
120	53.80	47.20	48.80	52.20
140	61.80	55.20	56.80	60.20
160	69.80	63.20	64.80	68.20
180	77.80	71.20	72.80	76.20
200	85.80	79.20	80.80	84.20

CUSTOMER		东莞市文章济美电子有限公司			
一般公差 GENERAL TOLERANCE	制图 (DR):	0.8mm PITCH BTB CONNECTOR PLUG ASSEMBLY 5.0H TYPE			
.X ±0.25	审核 (CHKD):	料号 (PART NO): 5001-BDF0838-**MR-00			
.XX ±0.20	比例 (SCALE)	单位 (UNITS)	张数 (SHEET)	图幅 (SIZE)	
.XXX ±0.10	1:8	mm	1 OF 1	A4	
ANGLES ±1°	核准 (APPD):				

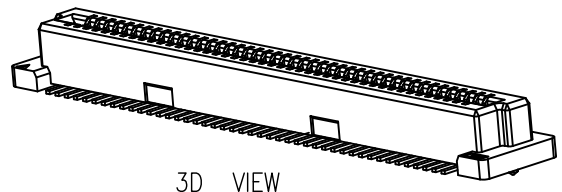
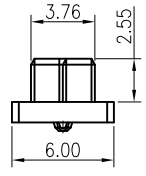
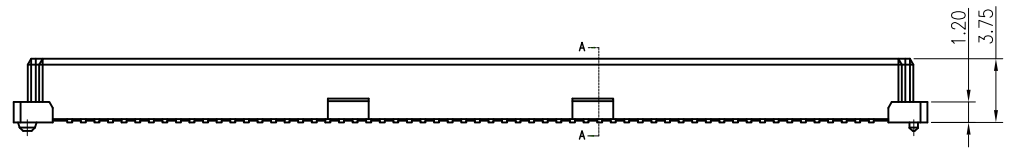
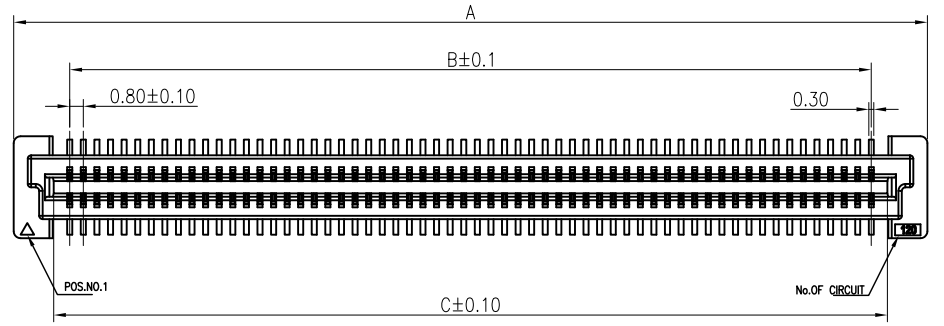
修订 SER	修改摘要 REVISION DESCRIPTION	签名 SIGNATURE	日期 DATE	版本 (REV) A
-----------	------------------------------	-----------------	------------	---------------



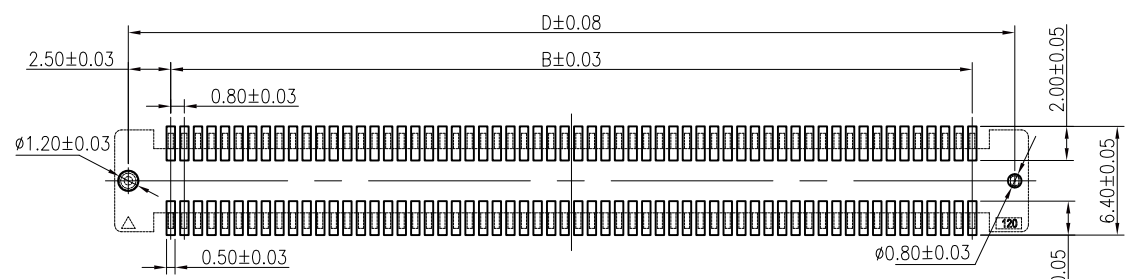
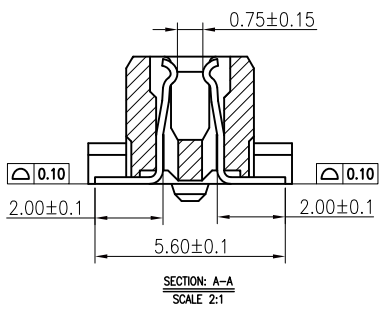
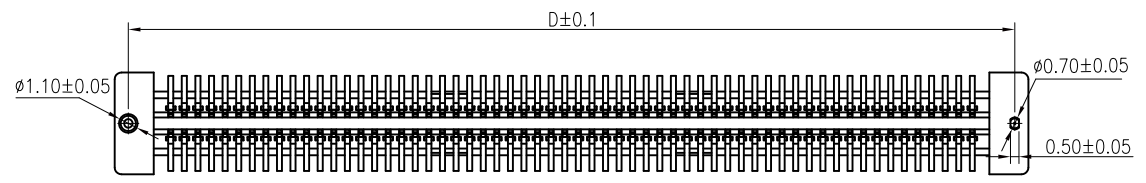
NOTES:

- 1.HUOSING: LCP HIGH-TEMP THERMOPLASTIC UL94V-0 COLOR:BEIGE
- 2.TERMINAL:PHOSPHOR BRONZE  
PLATING:1μ" GOLD FLASH OVERALL 50~100μ" NICKEL UNDER PLATED.
- 3.CODING INFORMATION: 5001-BDF 08 12-\*\* F R-00

The standby  
 Packing:R(卷)  
 FEMALE  
 PIN  
 MATINGHEIGHT:12-1.2H  
 0.8BTB  
 JM CONN BTB CONNECTOR SERIES



3D VIEW



RECOMMENDED P.C.BOARD LAYOUT

NO.of contacts	Dimensions			
	A.	B.	C.	D.
40	21.80	15.20	17.10	20.20
60	29.80	23.20	25.10	28.20
80	37.80	31.20	33.10	36.20
100	45.80	39.20	41.10	44.20
120	53.80	47.20	49.10	52.20
140	61.80	55.20	57.10	60.20
160	69.80	63.20	65.10	68.20
180	77.80	71.20	73.10	76.20
200	85.80	79.20	81.10	84.20

CUSTOMER		东莞市文章济美电子有限公司			
一般公差 GENERAL TOLERANCE		0.8mm PITCH BTB CONNECTOR			
.X ±0.25		制图 (DR):			
.XX ±0.20		品名(TITLE): RECEPTACLE ASSEMBLY 5.0H TYPE			
.XXX ±0.10		审核 (CHKD):		料号 (PART NO): 5001-BDF0812-**FR-00	
ANGLES ±1°		比例(SCALE)		单位(UNITS)	
		1:8		张数(SHEET)	
		mm		1 OF 1	
		核准 (APPD):		图幅(SIZE)	
				A4	

修订 SER	修改摘要 REVISION DESCRIPTION	签名 SIGNATURE	日期 DATE	版本 (REV) A
-----------	------------------------------	-----------------	------------	---------------

