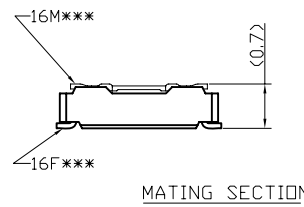
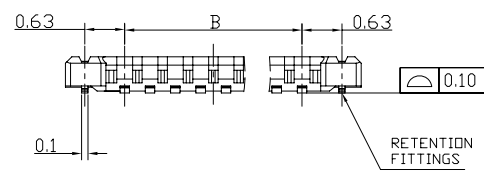
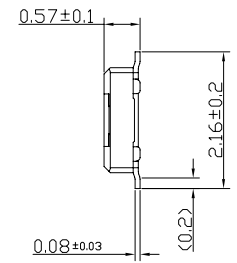
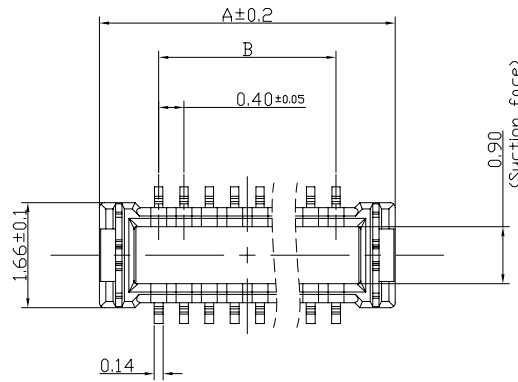
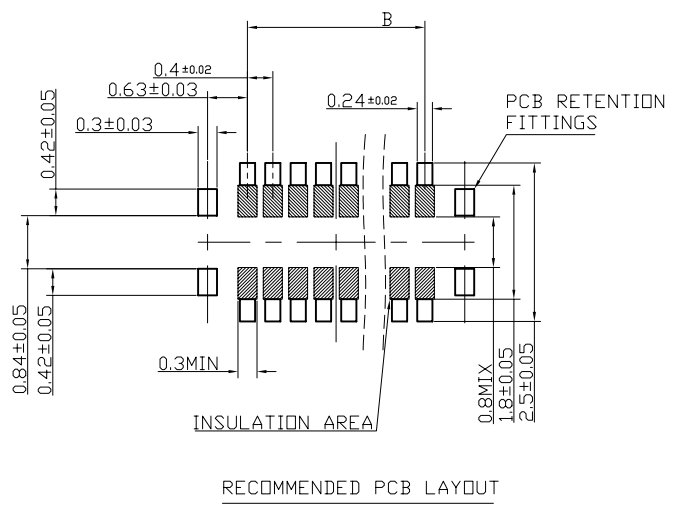


REV	ECN NO	DRA	APPD	DATE
A	FIRST RELEASE	George Gao	Human Zhou	2013.09.18



- Specifications:**
- Material:**
 - Molded portion: LCP resin (UL94 V-0)
 - Contact and Post: Copper alloy.
 - Surface treatment:**
 - Terminal portion: Base: Ni plating Surface: Au plating (except the terminal tips) ; Exposed nickel portions.
 - Metal clips: Base: Ni plating Surface: Au flash plating (except the terminal tips) Or Base: Ni plating Surface: Sn flash plating (except the terminal tips)
 - Characteristics:**
 - Rated voltage: 60V AC/DC
 - Rated current: 0.3A/contact (Max. 5A at total contact)
 - Insulation resistance: Min. 1000MΩ (initial)
 - Breakdown voltage: 150V AC for 1 min.
 - Saltwater spray resistance (header and socket mated): 24 hours, insulation resistance min.100MΩ, contact resistance max. 90mΩ
 - Contact resistance: Max. 90mΩ
 - Ambient temperature: -55℃~+85℃
 - Storage temperature: -55℃~+85℃ (product only); -40℃~+50℃ (emboss packing)
 - Composite insertion force: Max. 0.981N/contacts X contacts (initial)
 - Composite removal force: Min. 0.165N/contacts X contacts
 - Post holding force: Min. 0.49N/contacts
 - Insertion and removal life: 50 times



5016-M***-04
 SOCKET ——— PITCH-0.4MM
 ——— NUMBER OF CONTACTS

TABLE:

34	8.27	6.40
30	7.47	5.60
16	4.67	2.80
6	2.67	0.80
NUMBER OF CONTACTS	A	B

DIMENTION IN mm		东莞市文章济美电子有限公司						
TOLERANCE UNLESS OTHERWISE SPECIFIED		APPD:	TITLE:				E	
			0.4MM BTB (MATING HEIGHT 0.7H)					
. ±0.20	. ±2°	CHKD:	DWG NO:				5016-M***-04	
.0 ±0.10	.0 ±1°							
.00 ±0.05	.00±0.5°	DRA:	PROJ	Q'TY	SIZE	SHEET	SCALE	REV
.000±0.03	.000±0.3°	George Gao 2013.09.18	---	---	A4	1/1	1:1	A

REV	ECN NO	DRA	APPD	DATE
A	FIRST RELEASE	George Gao	Human zhou	2013.09.12

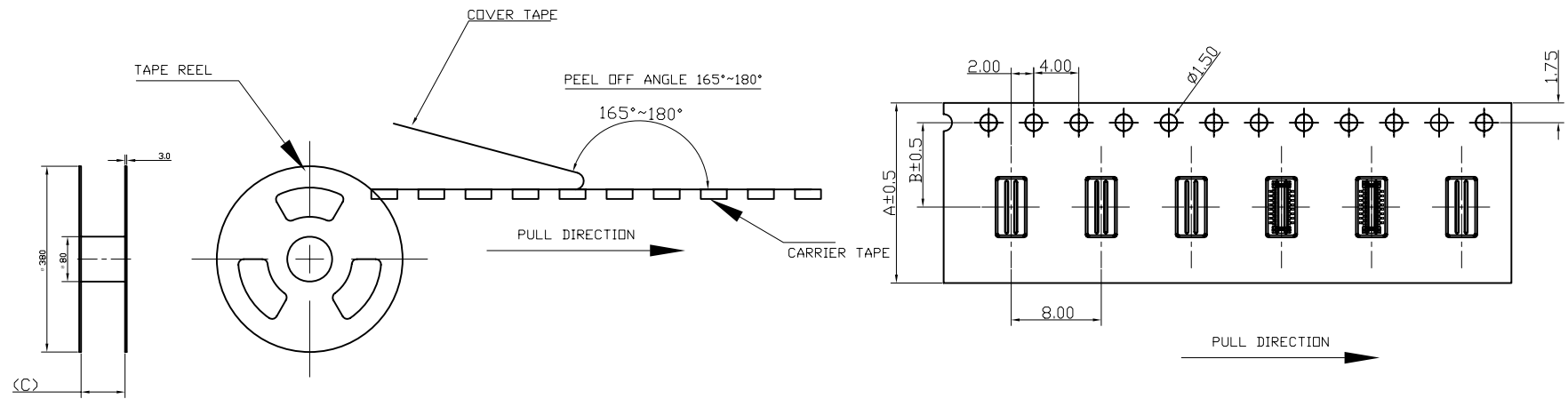
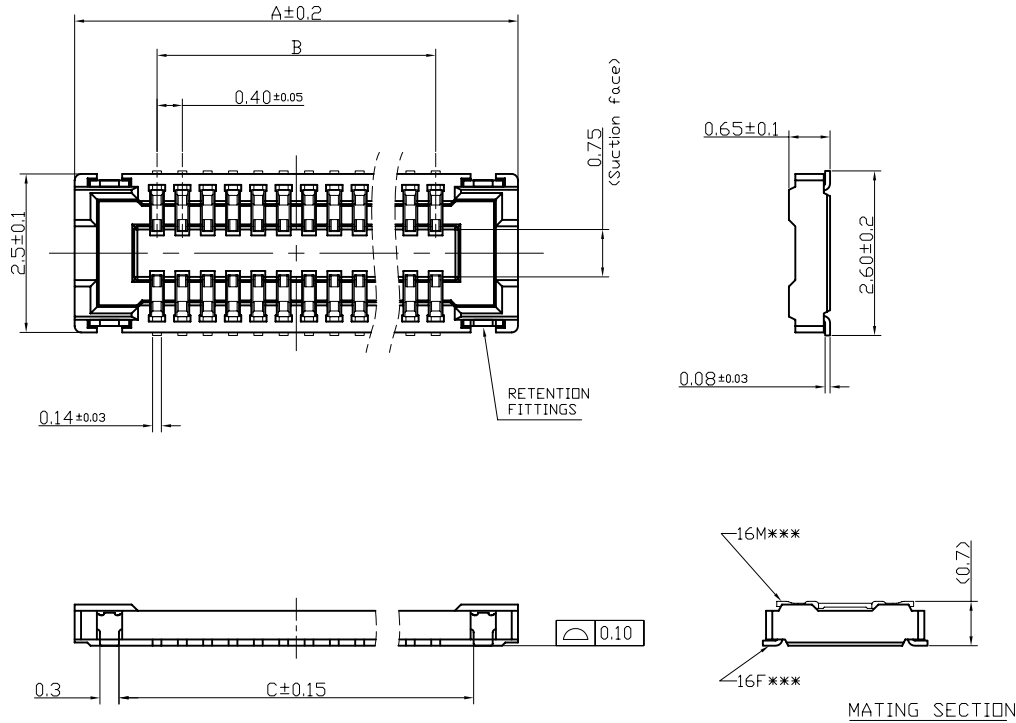


TABLE:

34	24.00	11.50	25.4	10000
30	16.00	7.50	17.4	
16				
NUMBER OF CONTACTS	A	B	C	QTY/REEL

DIMENTION IN mm		东莞市文章济美电子有限公司						
TOLERANCE UNLESS OTHERWISE SPECIFIED		APPD:	TITLE:					
. ±0.20	. ±2°	CHKD:	0.4MM BTB (MATING HEIGHT 0.7H)					
.0 ±0.10	.0 ±1°	DWG NO:						
.00 ±0.05	.00 ±0.5°	5016-M***-04						
.000 ±0.03	.000 ±0.3°	DRA:	PROJ	Q'TY	SIZE	SHEET	SCALE	REV
George Gao 2013.09.18		☐ ⊕	--	A4	1/1	1:1	A	

REV	ECN NO	DRA	APPD	DATE
A	FIRST RELEASE	George Gao	Human Zhou	2013.09.18



Specifications:

1) Material:

- 1-1. Molded portion: LCP resin (UL94 V-0)
- 1-2. Contact and Post: Copper alloy.

2) Surface treatment:

- 2-1. Terminal portion: Base: Ni plating Surface: Au plating (except the terminal tips) ; Exposed nickel portions.
- 2-2. Metal clips: Base: Ni plating Surface: Au flash plating (except the terminal tips) Or Base: Ni plating Surface: Sn flash plating (except the terminal tips)

3) Characteristics:

- 3-1. Rated voltage: 60V AC/DC
- 3-2. Rated current: 0.3A/contact (Max. 5A at total contact)
- 3-3. Insulation resistance: Min. 1000MΩ (initial)
- 3-4. Breakdown voltage: 150V AC for 1 min.
- 3-5. Saltwater spray resistance (header and socket mated): 24 hours, insulation resistance min.100MΩ, contact resistance max. 90mΩ
- 3-6. Contact resistance: Max. 90mΩ
- 3-7. Ambient temperature: -55℃~+85℃
- 3-8. Storage temperature: -55℃~+85℃ (product only); -40℃~+50℃ (emboss packing)
- 3-9. Composite insertion force: Max. 0.981N/contacts X contacts (initial)
- 3-10. Composite removal force: Min. 0.165N/contacts X contacts
- 3-11. Post holding force: Min. 0.49N/contacts
- 3-12. Insertion and removal life: 50 times

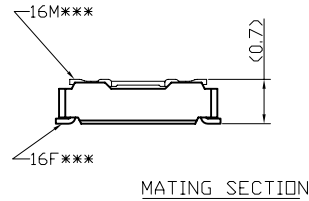
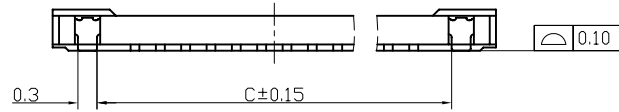
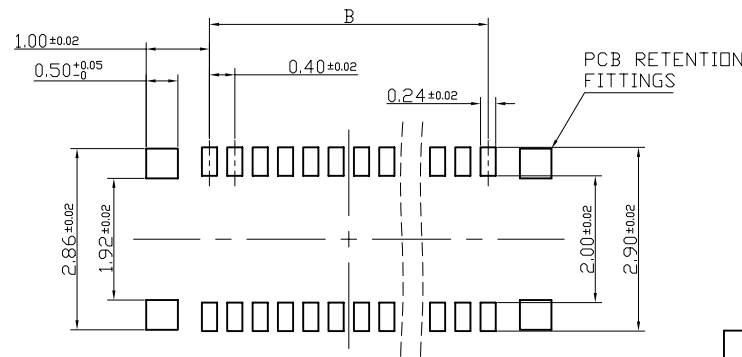


TABLE:

42	10.60	8.00	9.20
30	8.20	5.60	6.80
24	7.00	4.40	5.60
18	5.80	3.20	4.40
16	5.40	2.80	4.00
12	4.60	2.00	3.20
6	3.40	0.80	2.00

NUMBER OF CONTACTS	A	B	C
--------------------	---	---	---



RECOMMENDED PCB LAYOUT

5016-F*-04**

SOCKET ——— PITCH=0.4MM
 ——— NUMBER OF CONTACTS

DIMENTION IN mm		东莞市文章济美电子有限公司						
TOLERANCE UNLESS OTHERWISE SPECIFIED		APPD:	TITLE: 0.4MM BTB (MATING HEIGHT 0.7H)					
. ±0.20	. ±2°	CHKD:	DWG NO: 5016-F***-04					
.0 ±0.10	.0 ±1°	DRA: George Gao 2013.09.18	PROJ	Q'TY	SIZE	SHEET	SCALE	REV
.00 ±0.05	.00±0.5°				A4	1/1	1:1	A
.000±0.03	.000±0.3°							

REV	ECN NO	DRA	APPD	DATE
A	FIRST RELEASE	George Gao	Human zhou	2013.09.12

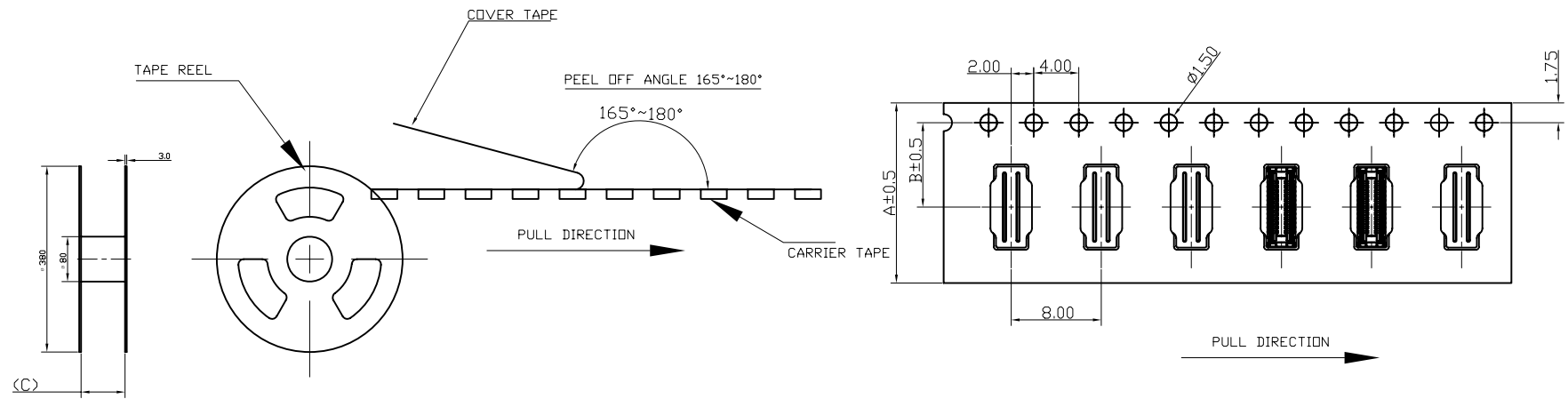


TABLE:

42	24.00	11.50	25.4	5000
30	16.00	7.50	17.4	
24				
18				
16				
12				
6	A	B	C	QTY/REEL

DIMENTION IN mm		东莞市文章济美电子有限公司				
TOLERANCE UNLESS OTHERWISE SPECIFIED		APPD:	TITLE: 0.4MM BTB (MATING HEIGHT 0.7H)			
. ±0.20	. ±2°	CHKD:	DWG NO: 5016-F***-04			
.0 ±0.10	.0 ±1°	DRA: George Gao 2013.09.18				
.00 ±0.05	.00 ±0.5°	PROJ	Q'TY	SIZE	SHEET	SCALE
.000 ±0.03	.000 ±0.3°	---	--	A4	1/1	1:1
		REV	A			