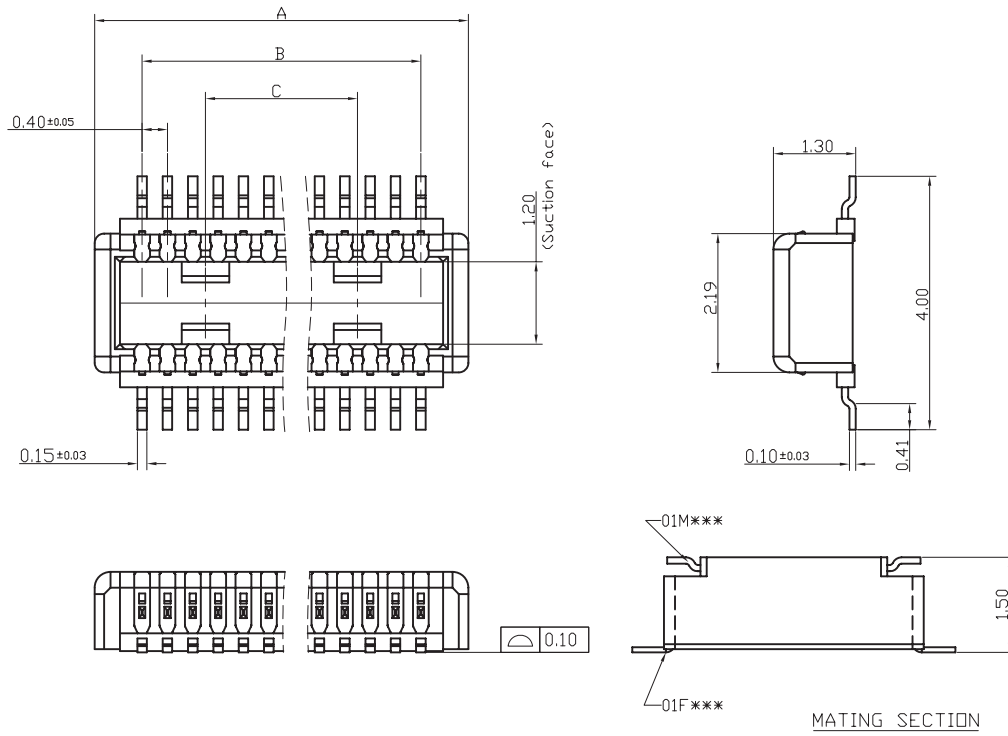


REV	ECN NO	DRA	APPD	DATE
A	FIRST RELEASE	George Gao	Human Zhou	2013.09.18



Specifications:

1) Material:

- 1-1. Molded portion: LCP resin (UL94 V-0)
- 1-2. Contact and Post: Copper alloy.

2) Surface treatment:

- 2-1. Terminal portion: Base: Ni plating Surface: Au plating (except the terminal tips) ; Exposed nickel portions.
- 2-2. Metal clips: Base: Ni plating Surface: Au flash plating (except the terminal tips) Or Base: Ni plating Surface: Sn flash plating (except the terminal tips)

3) Characteristics:

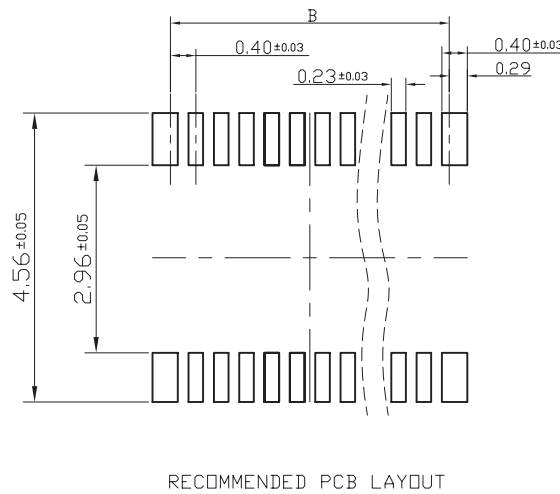
- 3-1. Rated voltage: 60V AC/DC
- 3-2. Rated current: 0.3A/contact (Max. 5A at total contact)
- 3-3. Insulation resistance: Min. 1000MΩ (initial)
- 3-4. Breakdown voltage: 150V AC for 1 min.
- 3-5. Saltwater spray resistance (header and socket mated): 24 hours, insulation resistance min.100MΩ, contact resistance max. 90mΩ
- 3-6. Contact resistance: Max. 90mΩ
- 3-7. Ambient temperature: -55℃~+85℃
- 3-8. Storage temperature: -55℃~+85℃ (product only); -40℃~+50℃ (emboss packing)
- 3-9. Composite insertion force: Max. 0.981N/contacts X contacts (initial)
- 3-10. Composite removal force: Min. 0.165N/contacts X contacts
- 3-11. Post holding force: Min. 0.49N/contacts
- 3-12. Insertion and removal life: 50 times

TABLE:

70	15.10	13.60	11.60
60	13.10	11.60	9.60
50	11.10	9.60	7.60
40	9.10	7.60	5.60
30	7.10	5.60	3.60
24	5.90	4.40	2.40
20	5.10	3.60	1.60
NUMBER OF CONTACTS	A	B	C

5001-M***-04

HEADER ——— PITCH=0.4MM
 ——— NUMBER OF CONTACTS



DIMENTION IN mm		东莞市文章济美电子有限公司							
TOLERANCE UNLESS OTHERWISE SPECIFIED		APPD:	TITLE:				0.4MM BTB (MATING HEIGHT 1.5H)		
. ±0.20	. ±2°	CHKD:	DWG NO:				5001-M***-04		
.0 ±0.10	.0 ±1°	DRA: George Gao 2013.09.18		PROJ	Q'TY	SIZE	SHEET	SCALE	REV
.00 ±0.03	.00±0.3°			---	---	A4	1/1	1:1	A
.000±0.01	.000±0.1°								

REV	ECN NO	DRA	APPD	DATE
A	FIRST RELEASE	George Gao	Human zhou	2013.09.12

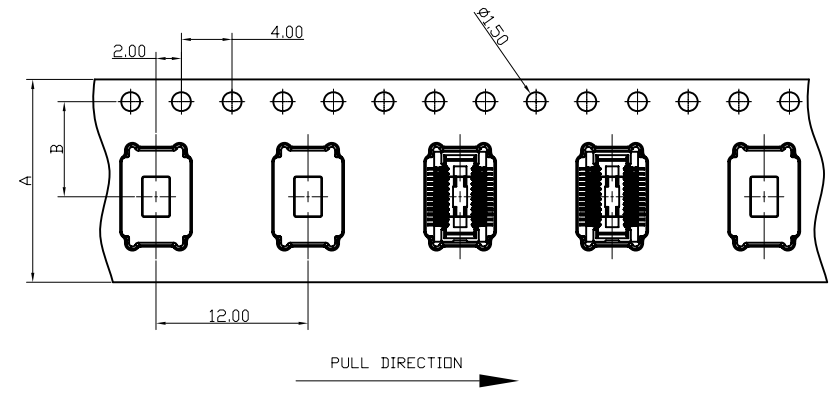
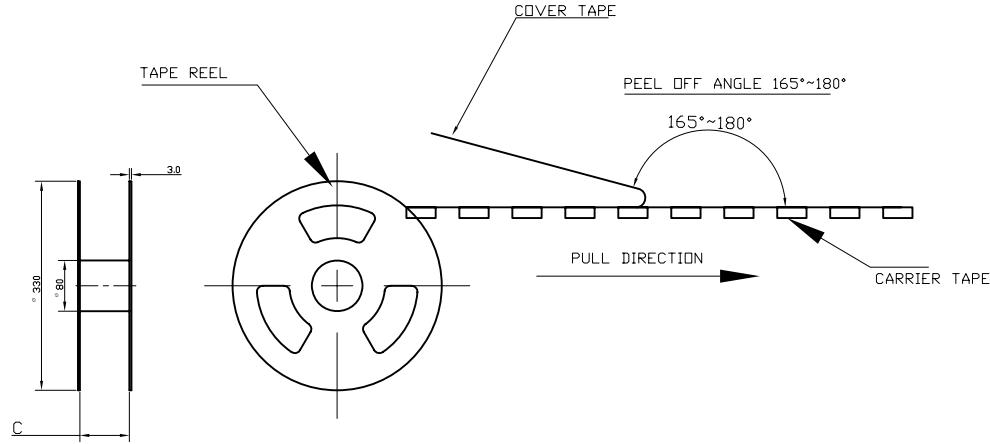
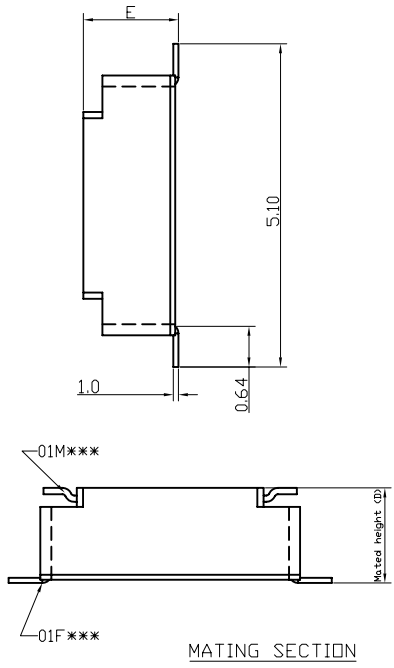
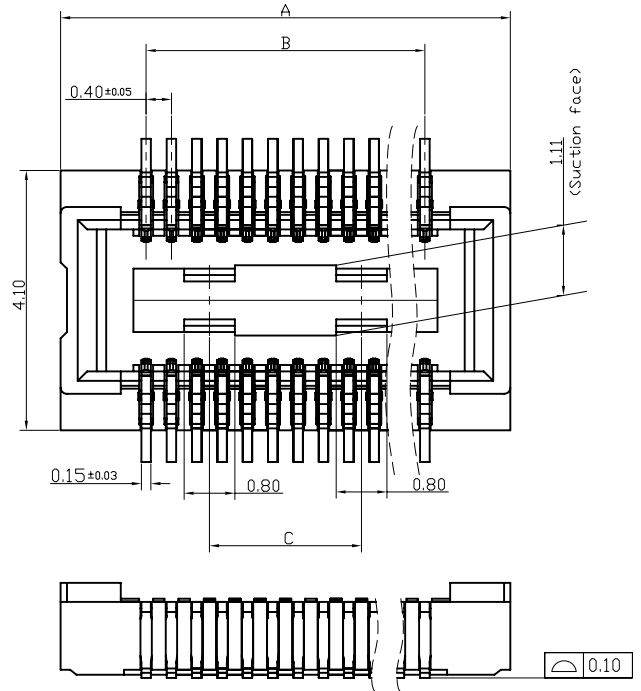


TABLE:

70	24.00	11.50	25.4	5000
60				
50				
40				
30	16.00	7.50	17.4	
24				
20				
NUMBER OF CONTACTS	A	B	C	QTY/REEL

DIMENTION IN mm		东莞市文章济美电子有限公司					
TOLERANCE UNLESS OTHERWISE SPECIFIED		APPD:	TITLE: 0.4MM BTB (MATING HEIGHT 1.5H)				
. ±0.20	. ±2°	CHKD:	DWG NO: 5001-M***-04				
.0 ±0.10	.0 ±1°	DRA: George Gao 2013.09.18					
.00 ±0.03	.00 ±0.3°	PROJ	Q'TY	SIZE	SHEET	SCALE	REV
.000 ±0.01	.000 ±0.1°	☐ ⊕	--	A4	1/1	1:1	A

REV	ECN NO	DRA	APPD	DATE
A	FIRST RELEASE	George Gao	Human Zhou	2013.09.18

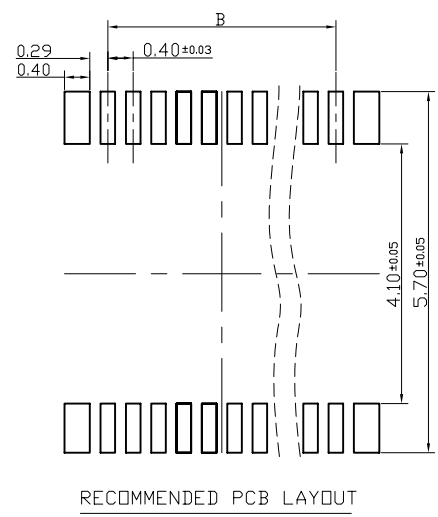


- Specifications:
- Material:
 - Molded portion: LCP resin (UL94 V-0)
 - Contact and Post: Copper alloy.
 - Surface treatment:
 - Terminal portion: Base: Ni plating Surface: Au plating (except the terminal tips) ; Exposed nickel portions.
 - Metal clips: Base: Ni plating Surface: Au flash plating (except the terminal tips) Or Base: Ni plating Surface: Sn flash plating (except the terminal tips)
 - Characteristics:
 - Rated voltage: 60V AC/DC
 - Rated current: 0.3A/contact (Max. 5A at total contact)
 - Insulation resistance: Min. 1000MΩ (initial)
 - Breakdown voltage: 150V AC for 1 min.
 - Saltwater spray resistance (header and socket mated): 24 hours, insulation resistance min.100MΩ, contact resistance max. 90mΩ
 - Contact resistance: Max. 90mΩ
 - Ambient temperature: -55℃~+85℃
 - Storage temperature: -55℃~+85℃ (product only); -40℃~+50℃ (emboss packing)
 - Composite insertion force: Max. 0.981N/contacts X contacts (initial)
 - Composite removal force: Min. 0.165N/contacts X contacts
 - Post holding force: Min. 0.49N/contacts
 - Insertion and removal life: 50 times

TABLE:

NUMBER OF CONTACTS	A	B	C	E
24	7.10	4.40	2.40	1.50 / 1.92
30	8.30	5.60	3.60	1.50 / 1.92
40	10.30	7.60	5.60	1.50
50	12.30	9.60	7.60	1.50
54	13.10	10.40	8.40	1.50
60	14.30	11.60	9.60	1.50
70	16.30	13.60	11.60	1.50

Mated height (D)	E
1.5mm	1.50
2.0mm	1.92



5001-F***(**)-04

SOCKET
NUMBER OF CONTACTS

PITCH-0.4MM
Blank: mated height 1.5
2.0: mated height 2.0

DIMENTION IN mm		东莞市文章济美电子有限公司					
TOLERANCE UNLESS OTHERWISE SPECIFIED		APPD:	TITLE: 0.4MM BTB (MATING HEIGHT 1.5H 2.0H)				
. ±0.20	. ±2°	CHKD:	DWG NO: 5001-F***-04				
.0 ±0.10	.0 ±1°	DRA: George Gao 2013.09.18					REV: A
.00 ±0.03	.00±0.3°	PROJ:	Q'TY:	SIZE:	SHEET:	SCALE:	
.000±0.01	.000±0.1°	---	---	A4	1/1	1:1	

REV	ECN NO	DRA	APPD	DATE
A	FIRST RELEASE	George Gao	Human zhou	2013.09.12

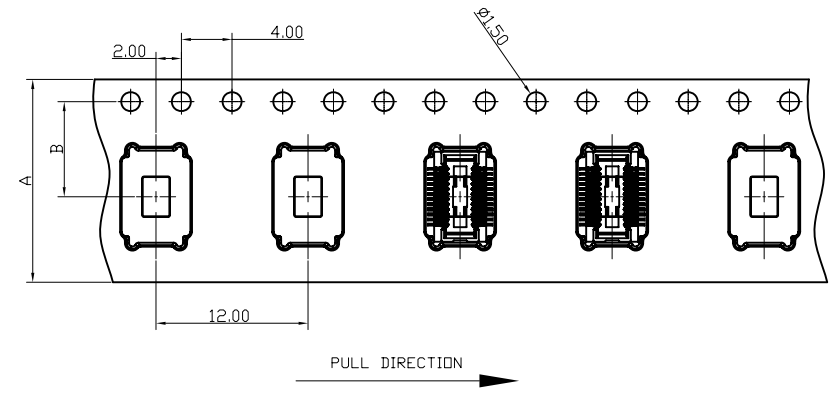
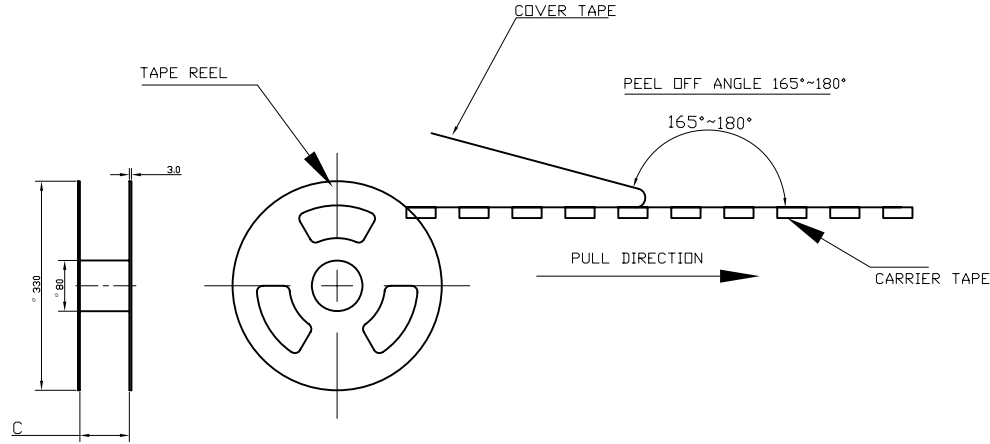


TABLE:

70	24.00	11.50	25.4	3000
60				
54				
50				
40				
30	16.00	7.50	17.4	QTY/REEL
24				
NUMBER OF CONTACTS	A	B	C	

DIMENTION IN mm		东莞市文章济美电子有限公司						
TOLERANCE UNLESS OTHERWISE SPECIFIED		APPD:	TITLE:					
. ±0.20	. ±2°	CHKD:	0.4MM BTB (MATING HEIGHT 1.5H 2.0H)					
.0 ±0.10	.0 ±1°	DWG NO:						
.00 ±0.03	.00 ±0.3°	5001-F***-04						
.000 ±0.01	.000 ±0.1°	DRA:	PROJ	Q'TY	SIZE	SHEET	SCALE	REV
		George Gao 2013.09.18		--	A4	1/1	1:1	A