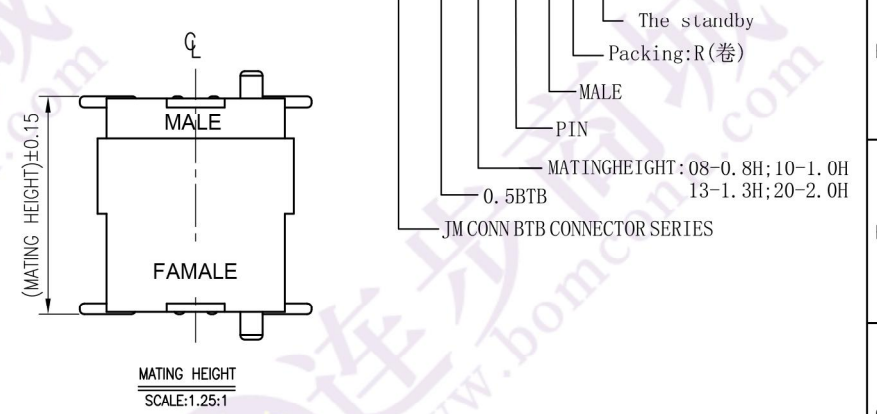


| MATING HEIGHT | PLUG (H.) | SOCKET (H.) | NO.of contacts | Dimensions | | | | | NO.of contacts | Dimensions | | | | |
|---------------|-----------|-------------|----------------|------------|-------|-------|-------|------|----------------|------------|-------|-------|-------|------|
| | | | | A. | B. | C. | D. | E. | | A. | B. | C. | D. | E. |
| 3.0 | 0.8 | 2.2 | 4 | 3.70 | 0.50 | 1.56 | 2.40 | 4.00 | 54 | 16.20 | 13.00 | 14.06 | 14.90 | 8.00 |
| 3.5 | 1.3 | 2.2 | 6 | 4.20 | 1.00 | 2.06 | 2.90 | 8.00 | 56 | 16.70 | 13.50 | 14.56 | 15.40 | 8.00 |
| 4.0 | 1.0 | 3.0 | 8 | 4.70 | 1.50 | 2.56 | 3.40 | 8.00 | 58 | 17.20 | 14.00 | 15.06 | 15.90 | 8.00 |
| 4.5 | 1.0 | 3.5 | 10 | 5.20 | 2.00 | 3.06 | 3.90 | 8.00 | 60 | 17.70 | 14.50 | 15.56 | 16.40 | 8.00 |
| 5.0 | 1.0 | 4.0 | 12 | 5.70 | 2.50 | 3.56 | 4.40 | 8.00 | 62 | 18.20 | 15.00 | 16.06 | 16.90 | 8.00 |
| 5.5 | 1.0 | 4.5 | 14 | 6.20 | 3.00 | 4.06 | 4.90 | 8.00 | 64 | 18.70 | 15.50 | 16.56 | 17.40 | 8.00 |
| 6.0 | 2.0 | 4.0 | 16 | 6.70 | 3.50 | 4.56 | 5.40 | 8.00 | 66 | 19.20 | 16.00 | 17.06 | 17.90 | 8.00 |
| 6.5 | 2.0 | 4.5 | 18 | 7.20 | 4.00 | 5.06 | 5.90 | 8.00 | 68 | 19.70 | 16.50 | 17.56 | 18.40 | 8.00 |
| | | | 20 | 7.70 | 4.50 | 5.56 | 6.40 | 8.00 | 70 | 20.20 | 17.00 | 18.06 | 18.90 | 8.00 |
| | | | 22 | 8.20 | 5.00 | 6.06 | 6.90 | 8.00 | 72 | 20.70 | 17.50 | 18.56 | 19.40 | 8.00 |
| | | | 24 | 8.70 | 5.50 | 6.56 | 7.40 | 8.00 | 74 | 21.20 | 18.00 | 19.06 | 19.90 | 8.00 |
| | | | 26 | 9.20 | 6.00 | 7.06 | 7.90 | 8.00 | 76 | 21.70 | 18.50 | 19.56 | 20.40 | 8.00 |
| | | | 28 | 9.70 | 6.50 | 7.56 | 8.40 | 8.00 | 78 | 22.20 | 19.00 | 20.06 | 20.90 | 8.00 |
| | | | 30 | 10.20 | 7.00 | 8.06 | 8.90 | 8.00 | 80 | 22.70 | 19.50 | 20.56 | 21.40 | 8.00 |
| | | | 32 | 10.70 | 7.50 | 8.56 | 9.40 | 8.00 | 82 | 23.20 | 20.00 | 21.06 | 21.90 | 8.00 |
| | | | 34 | 11.20 | 8.00 | 9.06 | 9.90 | 8.00 | 84 | 23.70 | 20.50 | 21.56 | 22.40 | 8.00 |
| | | | 36 | 11.70 | 8.50 | 9.56 | 10.40 | 8.00 | 86 | 24.20 | 21.00 | 22.06 | 22.90 | 8.00 |
| | | | 38 | 12.20 | 9.00 | 10.06 | 10.90 | 8.00 | 88 | 24.70 | 21.50 | 22.56 | 23.40 | 8.00 |
| | | | 40 | 12.70 | 9.50 | 10.56 | 11.40 | 8.00 | 90 | 25.20 | 22.00 | 23.06 | 23.90 | 8.00 |
| | | | 42 | 13.20 | 10.00 | 11.06 | 11.90 | 8.00 | 92 | 25.70 | 22.50 | 23.56 | 24.40 | 8.00 |
| | | | 44 | 13.70 | 10.50 | 11.56 | 12.40 | 8.00 | 94 | 26.20 | 23.00 | 24.06 | 24.90 | 8.00 |
| | | | 46 | 14.20 | 11.00 | 12.06 | 12.90 | 8.00 | 96 | 26.70 | 23.50 | 24.56 | 25.40 | 8.00 |
| | | | 48 | 14.70 | 11.50 | 12.56 | 13.40 | 8.00 | 98 | 27.20 | 24.00 | 25.06 | 25.90 | 8.00 |
| | | | 50 | 15.20 | 12.00 | 13.06 | 13.90 | 8.00 | 100 | 27.70 | 24.50 | 25.56 | 26.40 | 8.00 |

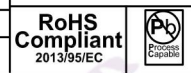
NOTES:

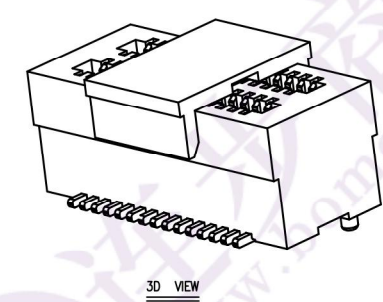
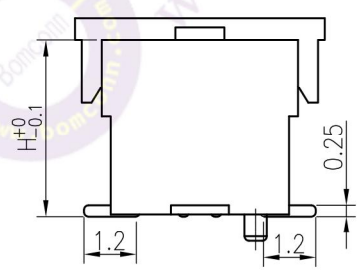
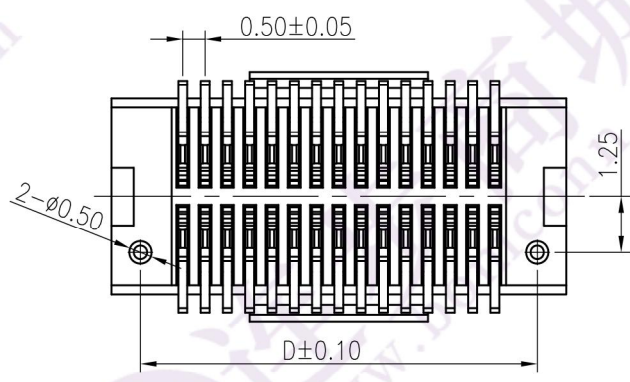
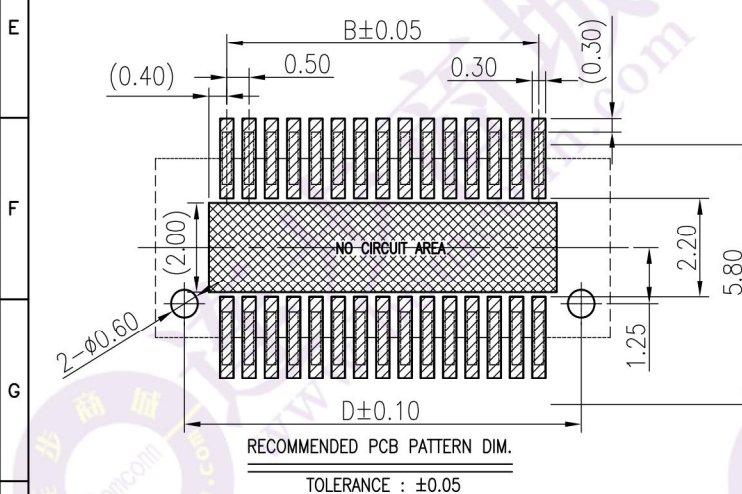
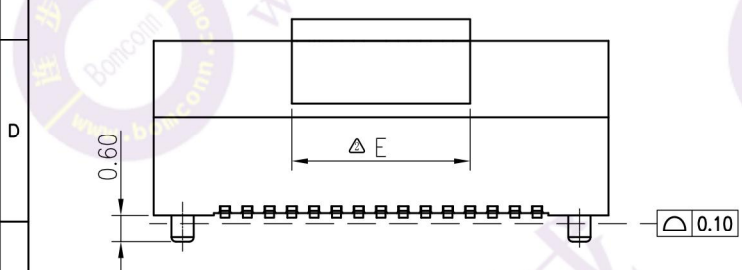
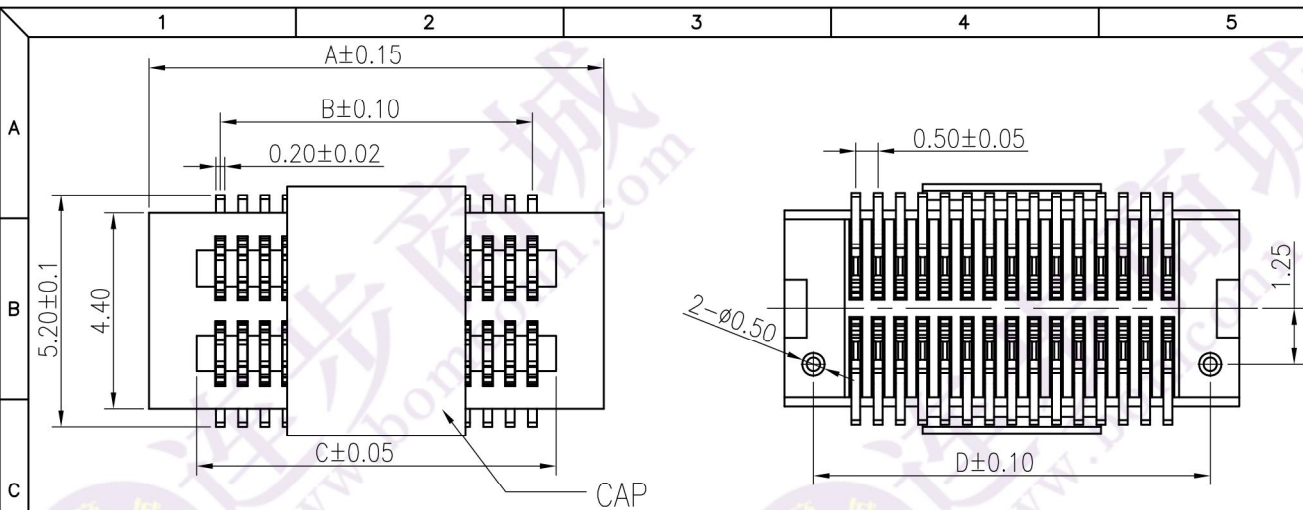
- HUOSING: PA9T HIGH-TEMP THERMOPLASTIC UL94V-0 COLOR:BLACK
- TERMINAL:PHOSPHOR BRONZE
PLATING:1" GOLD FLASH OVERALL 50~100μ" NICKEL UNDER PLATED.
- CODING INFORMATION: 5001-BSC 05 08-** M R-00



| | | | | | |
|--|--------------|------------------------------------|-----------------------------|--|--|
| CUSTOMER | | 东莞市文章济美电子有限公司 | | | |
| GENERAL TOLERANCE .X ±0.25 .XX ±0.15 .XXV ±0.05 ANGLES ±1° | | 制图 (DR): | 品名(TITLE): 0.5mm 双槽BTB MALE | | |
| 版本 (REV) B | 审核 (CHKD): | 料号(PART NO.): 5001-BSC0508-**MR-00 | | | |
| 比例(SCALE) 1:8 | 单位(UNITS) mm | 张数(SHEET) 1 OF 1 | 图幅(SIZE) A4 | | |

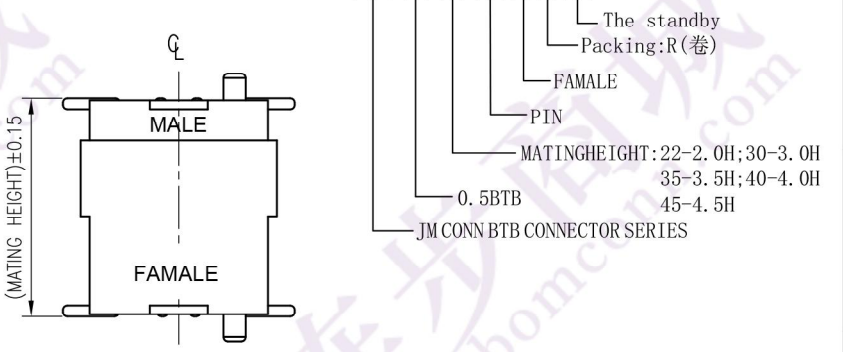
| | | | | |
|-----------|------------------------------|-----------------|------------|--|
| 新增CAP规格 | | | | |
| 产品料号修正 | | | | |
| 修订 SER | 修改摘要 REVISION DESCRIPTION | 签名 SIGNATURE | 日期 DATE | |





| MATING HEIGHT | PLUG (H.) | SOCKET (H.) | NO.of contacts | Dimensions | | | | | NO.of contacts | Dimensions | | | | |
|---------------|-----------|-------------|----------------|------------|-------|-------|-------|-----|----------------|------------|-------|-------|------|----|
| | | | | A. | B. | C. | D. | E. | | A. | B. | C. | D. | E. |
| 3.0 | 0.8 | 2.2 | 4 | 3.70 | 0.50 | 1.56 | 2.40 | 54 | 16.20 | 13.00 | 14.06 | 14.90 | 4.00 | |
| 3.5 | 1.3 | 2.2 | 6 | 4.20 | 1.00 | 2.06 | 2.90 | 56 | 16.70 | 13.50 | 14.56 | 15.40 | 4.00 | |
| 4.0 | 1.0 | 3.0 | 8 | 4.70 | 1.50 | 2.56 | 3.40 | 58 | 17.20 | 14.00 | 15.06 | 15.90 | 4.00 | |
| 4.5 | 1.0 | 3.5 | 10 | 5.20 | 2.00 | 3.06 | 3.90 | 60 | 17.70 | 14.50 | 15.56 | 16.40 | 4.00 | |
| 5.0 | 1.0 | 4.0 | 12 | 5.70 | 2.50 | 3.56 | 4.40 | 62 | 18.20 | 15.00 | 16.06 | 16.90 | 4.00 | |
| 5.5 | 1.0 | 4.5 | 14 | 6.20 | 3.00 | 4.06 | 4.90 | 64 | 18.70 | 15.50 | 16.56 | 17.40 | 4.00 | |
| 6.0 | 2.0 | 4.0 | 16 | 6.70 | 3.50 | 4.56 | 5.40 | 66 | 19.20 | 16.00 | 17.06 | 17.90 | 4.00 | |
| 6.5 | 2.0 | 4.5 | 18 | 7.20 | 4.00 | 5.06 | 5.90 | 68 | 19.70 | 16.50 | 17.56 | 18.40 | 4.00 | |
| | | | 20 | 7.70 | 4.50 | 5.56 | 6.40 | 70 | 20.20 | 17.00 | 18.06 | 18.90 | 4.00 | |
| | | | 22 | 8.20 | 5.00 | 6.06 | 6.90 | 72 | 20.70 | 17.50 | 18.56 | 19.40 | 4.00 | |
| | | | 24 | 8.70 | 5.50 | 6.56 | 7.40 | 74 | 21.20 | 18.00 | 19.06 | 19.90 | 4.00 | |
| | | | 26 | 9.20 | 6.00 | 7.06 | 7.90 | 76 | 21.70 | 18.50 | 19.56 | 20.40 | 4.00 | |
| | | | 28 | 9.70 | 6.50 | 7.56 | 8.40 | 78 | 22.20 | 19.00 | 20.06 | 20.90 | 4.00 | |
| | | | 30 | 10.20 | 7.00 | 8.06 | 8.90 | 80 | 22.70 | 19.50 | 20.56 | 21.40 | 4.00 | |
| | | | 32 | 10.70 | 7.50 | 8.56 | 9.40 | 82 | 23.20 | 20.00 | 21.06 | 21.90 | 4.00 | |
| | | | 34 | 11.20 | 8.00 | 9.06 | 9.90 | 84 | 23.70 | 20.50 | 21.56 | 22.40 | 4.00 | |
| | | | 36 | 11.70 | 8.50 | 9.56 | 10.40 | 86 | 24.20 | 21.00 | 22.06 | 22.90 | 4.00 | |
| | | | 38 | 12.20 | 9.00 | 10.06 | 10.90 | 88 | 24.70 | 21.50 | 22.56 | 23.40 | 4.00 | |
| | | | 40 | 12.70 | 9.50 | 10.56 | 11.40 | 90 | 25.20 | 22.00 | 23.06 | 23.90 | 4.00 | |
| | | | 42 | 13.20 | 10.00 | 11.06 | 11.90 | 92 | 25.70 | 22.50 | 23.56 | 24.40 | 4.00 | |
| | | | 44 | 13.70 | 10.50 | 11.56 | 12.40 | 94 | 26.20 | 23.00 | 24.06 | 24.90 | 4.00 | |
| | | | 46 | 14.20 | 11.00 | 12.06 | 12.90 | 96 | 26.70 | 23.50 | 24.56 | 25.40 | 4.00 | |
| | | | 48 | 14.70 | 11.50 | 12.56 | 13.40 | 98 | 27.20 | 24.00 | 25.06 | 25.90 | 4.00 | |
| | | | 50 | 15.20 | 12.00 | 13.06 | 13.90 | 100 | 27.70 | 24.50 | 25.56 | 26.40 | 4.00 | |

- NOTES:
- HUOSING: PA9T HIGH-TEMP THERMOPLASTIC UL94V-0 COLOR:BLACK
 - TERMINAL:PHOSPHOR BRONZE
PLATING:1μ" GOLD FLASH OVERALL 50~100μ" NICKEL UNDER PLATED.
 - CODING INFORMATION: 5001-BSC 05 22-** F R-00



MATING HEIGHT SCALE:1.25:1

| | |
|--|--|
| CUSTOMER 东莞市文章济美电子有限公司 | |
| 一般公差 GENERAL TOLERANCE .X ±0.25 .XX ±0.15 .XXX ±0.05 ANGLES ±1° | 制图 (OR): Kavin 2016.07.05 品名(TITLE): 0.5mm 双槽BTB FEMALE |
| 审核 (CHKD): | 料号(PART NO): 5001-BSC0522-**FR-00 |
| 版本 (REV) B | 比例(SCALE) 1:8 单位(UNITS) mm 张数(SHEET) 1 OF 1 图幅(SIZE) A4 |
| 核准 (APPD): | |

| | | |
|-----------|------------------------------|-----------------|
| 新增CAP规格 | Kavin | 02/17/17' |
| 产品料号修正 | Kavin | 12/01/16' |
| 修订 REV | 修改摘要 REVISION DESCRIPTION | 签名 SIGNATURE |
| | | 日期 DATE |

