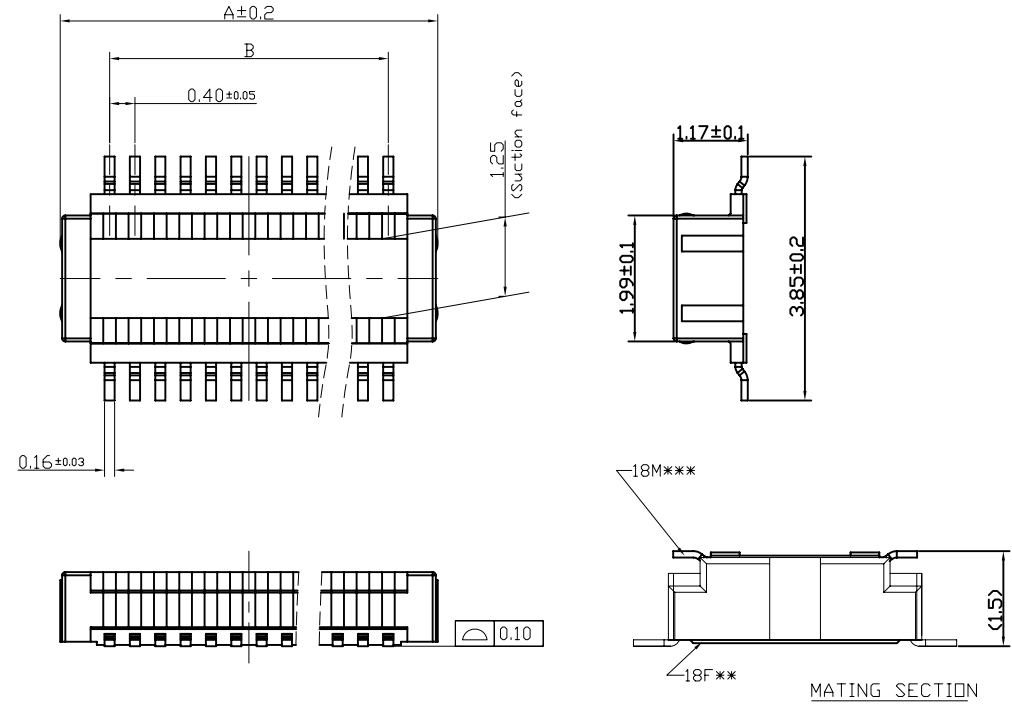
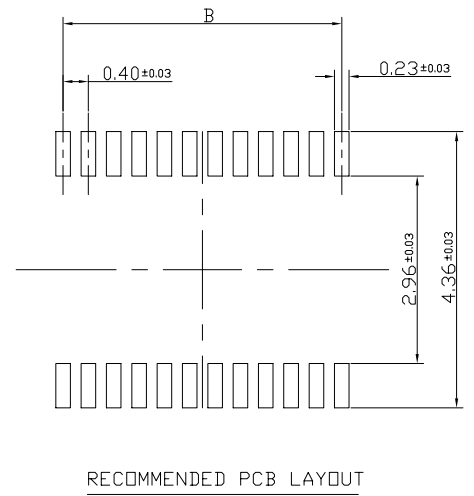


REV	ECN NO	DRA	APPD	DATE
A	FIRST RELEASE	George Gao	Human Zhou	2013.09.12



Specifications:

- 1) Material:
 - 1-1. Molded portion: LCP resin (UL94 V-0)
 - 1-2. Contact and Post: Copper alloy.
- 2) Surface treatment:
 - 2-1. Terminal portion: Base: Ni plating Surface: Au plating (except the terminal tips) ; Exposed nickel portions.
 - 2-2. Metal clips: Base: Ni plating Surface: Au flash plating (except the terminal tips) Or Base: Ni plating Surface: Sn flash plating (except the terminal tips)
- 3) Characteristics:
 - 3-1. Rated voltage: 60V AC/DC
 - 3-2. Rated current: 0.3A/contact (Max. 5A at total contact)
 - 3-3. Insulation resistance: Min. 1000MΩ (initial)
 - 3-4. Breakdown voltage: 150V AC for 1 min.
 - 3-5. Saltwater spray resistance (header and socket mated): 24 hours, insulation resistance min.100MΩ, contact resistance max. 90mΩ
 - 3-6. Contact resistance: Max. 90mΩ
 - 3-7. Ambient temperature: -55℃~+85℃
 - 3-8. Storage temperature: -55℃~+85℃ (product only); -40℃~+50℃ (emboss packing)
 - 3-9. Composite insertion force: Max. 0.981N/contacts X contacts (initial)
 - 3-10. Composite removal force: Min. 0.165N/contacts X contacts
 - 3-11. Post holding force: Min. 0.49N/contacts
 - 3-12. Insertion and removal life: 50 times



5018-M***-04

HEADER _____ PITCH-0.4MM
 _____ NUMBER OF CONTACTS

TABLE:

60	13.16	11.60
50	11.16	9.60
40	9.16	7.60
30	7.16	5.60
24	5.96	4.40
NUMBER OF CONTACTS	A	B

DIMENSION IN mm		东莞市文章济美电子有限公司							
TOLERANCE UNLESS OTHERWISE SPECIFIED		APPD:	TITLE: 0.4MM BTB (MATING HEIGHT 1.5H 2.0H)						E
. ±0.20	. ±2°	CHKD:	DWG NO: 5018-M***-04						
.0 ±0.10	.0 ±1°	DRA:	PROJ	Q'TY	SIZE	SHEET	SCALE	REV	
.00 ±0.05	.00 ±0.5°	George Gao			A4	1/1	1:1	A	
.000 ±0.03	.000 ±0.3°	2013.09.12	☐ ⊕	--					

REV	ECN NO	DRA	APPD	DATE
A	FIRST RELEASE	George Gao	Human Zhou	2013.09.12

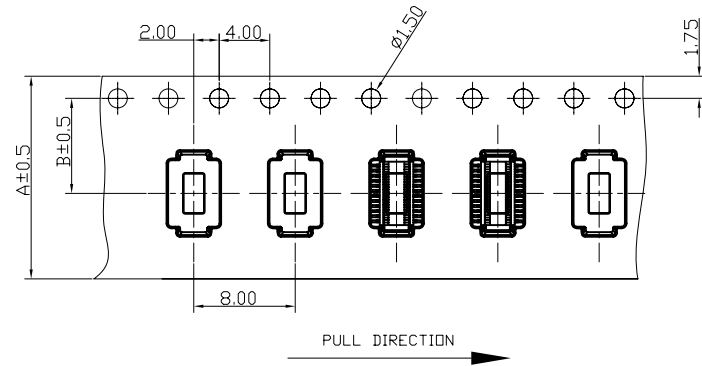
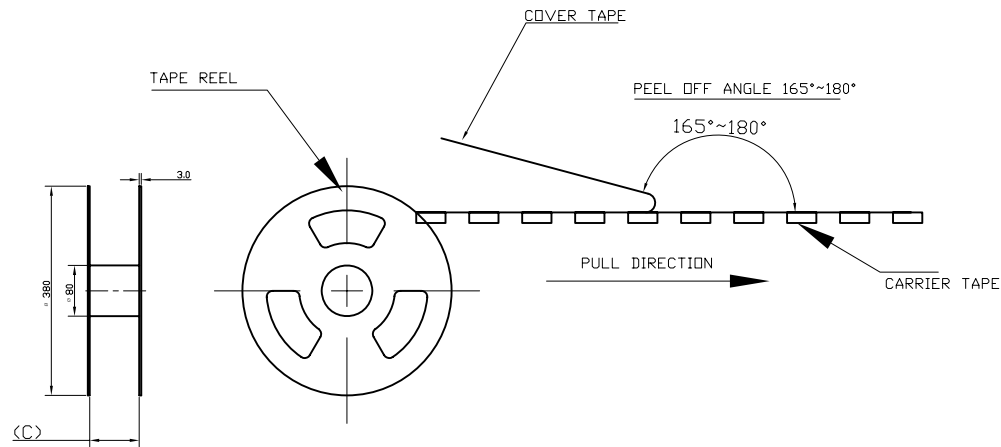
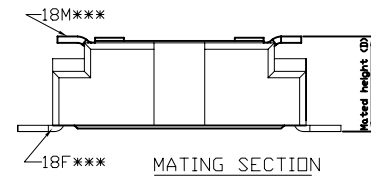
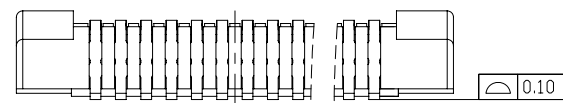
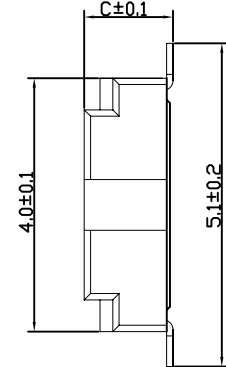
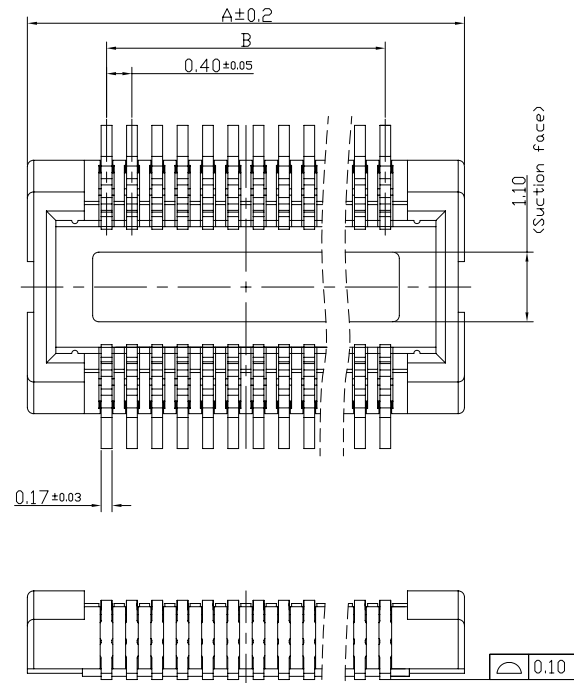


TABLE:

60	24.00	11.50	25.4	5000
50				
40	16.00	7.50	17.4	
30				
24	A	B	C	

DIMENSION IN mm		东莞市文章济美电子有限公司						
TOLERANCE UNLESS OTHERWISE SPECIFIED		APPD:	TITLE:					
. ±0.20	. ±2°	CHKD:	0.4MM BTB (MATING HEIGHT 1.5H 2.0H)					
.0 ±0.10	.0 ±1°	DWG NO:						
.00 ±0.05	.00 ±0.5°	5018-M***-04						
.000 ±0.03	.000 ±0.3°	DRA:	PROJ	Q'TY	SIZE	SHEET	SCALE	REV
		George Gao 2013.09.12	---	--	A4	1/1	1:1	A

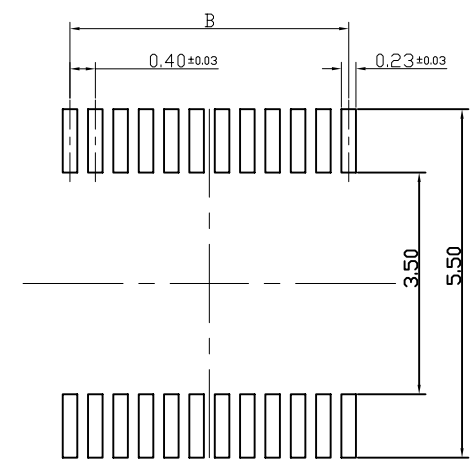
REV	ECN NO	DRA	APPD	DATE
A	FIRST RELEASE	George Gao	Human Zhou	2013.09.18



- Specifications:
- Material:
 - Molded portion: LCP resin (UL94 V-0)
 - Contact and Post: Copper alloy.
 - Surface treatment:
 - Terminal portion: Base: Ni plating Surface: Au plating (except the terminal tips) ; Exposed nickel portions.
 - Metal clips: Base: Ni plating Surface: Au flash plating (except the terminal tips) Or Base: Ni plating Surface: Sn flash plating (except the terminal tips)
 - Characteristics:
 - Rated voltage: 60V AC/DC
 - Rated current: 0.3A/contact (Max. 5A at total contact)
 - Insulation resistance: Min. 1000MΩ (initial)
 - Breakdown voltage: 150V AC for 1 min.
 - Saltwater spray resistance (header and socket mated): 24 hours, insulation resistance min.100MΩ, contact resistance max. 90mΩ
 - Contact resistance: Max. 90mΩ
 - Ambient temperature: -55℃~+85℃
 - Storage temperature: -55℃~+85℃ (product only); -40℃~+50℃ (emboss packing)
 - Composite insertion force: Max. 0.981N/contacts X contacts (initial)
 - Composite removal force: Min. 0.165N/contacts X contacts
 - Post holding force: Min. 0.49N/contacts
 - Insertion and removal life: 50 times

TABLE:

NUMBER OF CONTACTS	A	B	C
24	6.90	4.40	1.40/1.90
34	8.90	6.40	1.40
40	10.10	7.60	1.40
50	12.10	9.60	1.40
60	14.10	11.60	1.40



5018-F*(**)-04**

SOCKET ————

NUMBER OF CONTACTS ————

PITCH-0.4MM

Blank: mated height 1.5
2.0: mated height 2.0

Mated height (D)	C
1.5mm	1.40
2.0mm	1.90

DIMENSION IN mm		东莞市文章济美电子有限公司							
TOLERANCE UNLESS OTHERWISE SPECIFIED		APPD:	TITLE: 0.4MM BTB (MATING HEIGHT 1.5H 2.0H)						
. ±0.20	. ±2°	CHKD:	DWG NO: 5018-F***-04						
.0 ±0.10	.0 ±1°	DRA: George Gao 2013.09.18	PROJ	Q'TY	SIZE	SHEET	SCALE	REV	
.00 ±0.05	.00 ±0.5°	☞	--	A4	1/1	1:1	A		
.000 ±0.03	.000 ±0.3°								

REV	ECN NO	DRA	APPD	DATE
A	FIRST RELEASE	George Gao	Human Zhou	2013.09.12

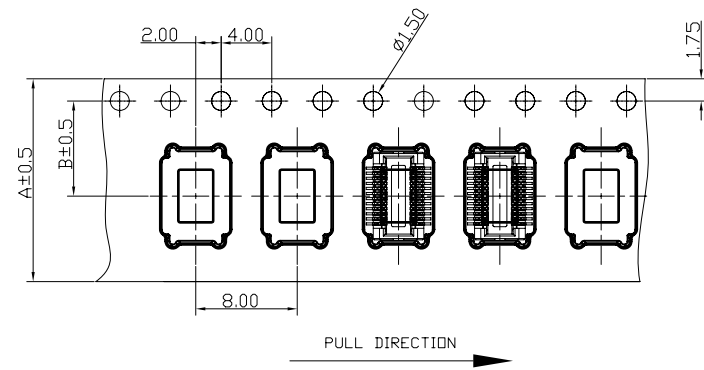
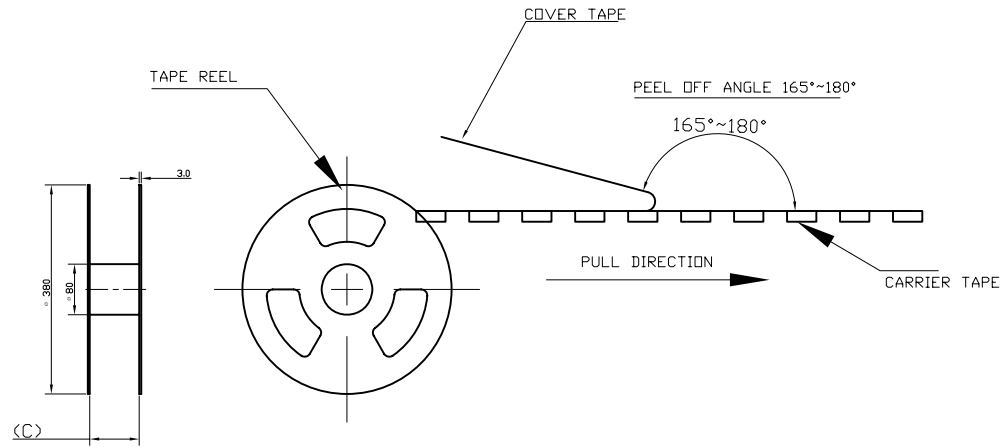


TABLE:

60	24.00	11.50	25.4	5000
50				
40				
34	16.00	7.50	17.4	
24				
NUMBER OF CONTACTS	A	B	C	QTY/REEL

DIMENSION IN mm		东莞市文章济美电子有限公司						
TOLERANCE UNLESS OTHERWISE SPECIFIED		APPD:	TITLE:					
. ±0.20	. ±2°		0.4MM BTB (MATING HEIGHT 1.5H 2.0H)					
.0 ±0.10	.0 ±1°	CHKD:	DWG NO:					
.00 ±0.05	.00 ±0.5°		5018-F***-04					
.000 ±0.03	.000 ±0.3°	DRA:	PROJ	Q'TY	SIZE	SHEET	SCALE	REV
		George Gao 2013.09.18		--	A4	1/1	1:1	A